

WARM-ON

EN

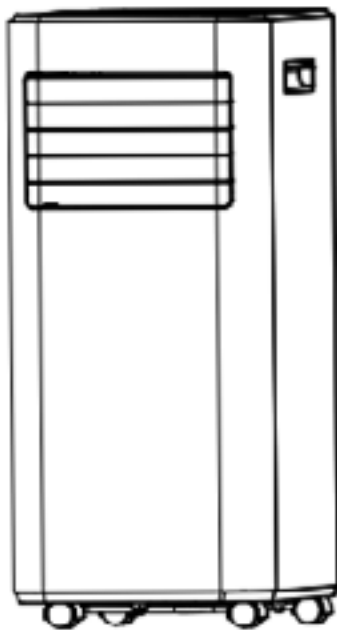
# Portable Air Conditioner

Local air conditioners

Portable air conditioner AC20N white  
Portable air conditioner AC26N white

## Owner's Manual

Original instructions



Cooling & Heating  
(With R290 refrigerant)

CE  
0305



## **CONTENTSNEVER:**

1. BEFORE YOU BEGIN
2. FOR YOUR SAFETY
3. PRODUCT OVERVIEW
4. INSTALLATION
5. OPERATION
6. CLEANING AND CARE
7. TROUBLESHOOTING
8. DECOMMISSIONING

## 1.1 PRODUCT DESCRIPTION

Our powerful portable air conditioners are great cooling solutions for single rooms, creating a comfortable atmosphere in your space. It also has ventilation and dehumidifying function for circulating air and removal of moisture. They're self-contained systems that do not require any permanent installation allowing you to move to the space in which it is most needed. They're commonly used in kitchen, temporary-resided, computer rooms, garages, and many other places where installation of Air-conditioner Outdoor Unit is limited.

The environmentally friendly R290 is used as the refrigerant. R290 has no damaging influence on the ozone layer (ODP), a negligible greenhouse effect (GWP) and is available worldwide. Because of its efficient energy properties, R290 is highly suitable as a coolant for this application. Special precautions must be taken into consideration due to the coolant's high flammability.

## 1.2 SYMBOLS FROM THE UNIT AND USER MANUAL



This unit uses a flammable refrigerant.

If refrigerant leaks and comes in contact with fire or heating part, it will create harmful gas and there is risk of fire.



Read the USER MANUAL carefully before operation.



Further information is available in the USER MANUAL, SERVICE MANUAL, and the like.



Service personnel are required to carefully read the USER MANUAL and SERVICE MANUAL before operation.

## THE FOLLOWING SHOULD ALWAYS BE OBSERVED FOR SAFETY

- This appliance is intended to be used by expert or trained users in shops, in light industry and on farms, or for commercial use by lay persons.
- This appliance can be used by children aged from 8 years and above and persons with reduced physical, sensory or mental capabilities or lack of experience and knowledge if they have been given supervision or instruction concerning use of the appliance in a safe way and understand the hazards involved. Children shall not play with the appliance. Cleaning and user maintenance shall not be made by children without supervision.
- The unit is designed only for use with R-290(propane) gas as the designated refrigerant.

### **The refrigerant loop is sealed. Only a qualified technician should attempt to service!**

- Do not discharge the refrigerant into the atmosphere.
- R-290 (propane) is flammable and heavier than air.
- It collects first in low areas but can be circulated by the fans.
- If propane gas is present or even suspected, do not allow untrained personnel to attempt to find the cause.
- The propane gas used in the unit has no odor.
- The lack of smell does not indicate a lack of escaped gas.
- If a leak is detected, immediately evacuate all persons from the store, ventilate the room and contact the local fire department to advise them that a propane leak has occurred.
- Do not let any persons back into the room until the qualified service technician has arrived and that technician advises that it is safe to return to the room.
- No open flames, cigarettes or other possible sources of ignition should be used inside or in the vicinity of the units.
- Component parts are designed for propane and non-incentive and non-sparking. Component parts shall only be replaced with identical repair parts.

**FAILURE TO ABIDE BY THIS WARNING COULD RESULT IN AN EXPLOSION, DEATH, INJURY AND PROPERTY DAMAGE.**

### YOUR SAFETY IS THE MOST IMPORTANT THING WE CONCERNED!



WARNING

**PLEASE READ THIS MANUAL CAREFULLY AND FULLY UNDERSTAND BEFORE OPERATING YOUR APPLIANCE.**

#### 2.1 OPERATIONAL PRECAUTIONS

##### **WARNING- TO REDUCE THE RISK OF FIRE, ELECTRIC SHOCK OR INJURY TO PERSONS OR PROPERTY:**

- If the supply cord is damaged, it must be replaced by the manufacturer, its service agent or similarly qualified persons in order to avoid a hazard.
- The appliance shall be disconnected from its power source during service.
- Always operate the unit from a power source of equal voltage, frequency and rating as indicated on the product identification plate.
- Always use a power outlet that is grounded.
- Unplug the power cord when cleaning or when not in use.
- Do not operate with wet hands. Prevent water from spilling onto the unit.
- Do not immerse or expose the unit to rain, moisture or any other liquid.
- Do not leave the unit running unattended. Do not tilt or turn over the unit.
- Do not unplug while the unit is operating.
- Do not unplug by pulling on the power cord.
- Do not use an extension cord or an adapter plug.
- Do not put objects on the unit.
- Do not climb or sit on the unit.
- Do not insert fingers or other objects into the air outlet.
- Do not touch the air inlet or the aluminum fins of the unit.
- Do not operate the unit if it is dropped, damaged or showing signs of product malfunction.
- Do not clean the appliance with any chemicals.

- Ensure the unit is far away from fire, inflammable, or explosive objects.
- The unit shall be installed in accordance with national wiring regulations.
- Do not use means to accelerate the defrosting process or to clean, other than those recommended by the manufacture.
- The appliance shall be stored in a room without continuously operation sources (for example: open flames, an operating gas appliance or an operating electric heater).
- The appliance shall be stored so as to prevent mechanical damage from occurring.
- Do not piece or burn, even after use.
- Be aware that refrigerants may not contain an odour.
- Pipe-work shall be protected from physical damage and shall not be installed in an un-ventilated space, if that space is smaller than 9m<sup>2</sup>.
- Compliance with national gas regulations shall be observed.
- Keep any required ventilation openings clear of obstruction.
- The appliance shall be stored in a well-ventilated area where the room size corresponds to the room area as specified for operation.



**WARNING**

Any person who is involved with working on or breaking into a refrigerant circuit should hold a current valid certificate from an industry-accredited assessment authority, which authorizes their competence to handle refrigerants safely in accordance with an industry, recognized assessment specification.



**WARNING**

Servicing shall only be performed as recommended by the equipment manufacturer. Maintenance and repair requiring the assistance of other skilled personnel shall be carried out under the supervision of the person competent in the use of flammable refrigerants.

If you don't understand something or need help, please contact the dealer services.

## 2.2 SAFETY PRECAUTIONS ON SERVICING

Please follow these warnings when to undertake the following when servicing an appliance with R290.

### 2.2.1 Checks to the area

Prior to beginning work on systems containing flammable refrigerants, safety checks are necessary to ensure that the risk of ignition is minimized. For repair to the refrigerating system, the following precautions shall be complied with prior to conducting work on the system.

### 2.2.2 Work procedure

Work shall be undertaken under a controlled procedure so as to minimize the risk of a flammable gas or vapor being present while the work is being performed.

### 2.2.3 General work area

All maintenance staff and others working in the local area shall be instructed on the nature of work being carried out. Work in confined spaces shall be avoided. The area around the work space shall be sectioned off. Ensure that the conditions within the area have been made safe by control of flammable material.

### 2.2.4 Checking for presence of refrigerant

The area shall be checked with an appropriate refrigerant detector prior to and during work, to ensure the technician is aware of potentially flammable atmospheres. Ensure that the leak detection equipment being used is suitable for use with flammable refrigerants, i.e. no sparking, adequately sealed or intrinsically safe.

### 2.2.5 Presence of fire extinguisher

If any hot work is to be conducted on the refrigeration equipment or any associated parts, appropriate fire extinguishing equipment shall be available to hand. Have a dry powder or CO<sub>2</sub> fire extinguisher adjacent to the charging area.

### 2.2.6 No ignition sources

No person carrying out work in relation to a refrigeration system which involves exposing any pipe work that contains or has contained flammable refrigerant shall use any sources of ignition in such a manner that it may lead to the risk of fire or explosion. All possible ignition sources, including cigarette smoking, should be kept sufficiently far away from the site of installation, repairing, removing and disposal, during which flammable refrigerant can possibly be released to the surrounding space. Prior to work taking place, the area around the equipment is to be surveyed to make sure that there are no flammable hazards or ignition risks. "No Smoking" signs shall be displayed.

### 2.2.7 Ventilated area

Ensure that the area is in the open or that it is adequately ventilated before breaking into the system or conducting any hot work. A degree of ventilation shall continue during the period that the work is carried out. The ventilation should safely disperse any released refrigerant and preferably expel it externally into the atmosphere.

### 2.2.8 Checks to the refrigeration equipment

Where electrical components are being changed, they shall be fit for the purpose and to the correct specification. At all times the manufacturer's maintenance and service guidelines shall be followed. If in doubt consult the manufacturer's technical department for assistance.

The following checks shall be applied to installations using flammable refrigerants:

- The charge size is in accordance with the room size within which the refrigerant containing parts are installed;
- The ventilation machinery and outlets are operating adequately and are not obstructed;
- If an indirect refrigerating circuit is being used, the secondary circuit shall be checked for the presence of refrigerant;
- Marking to the equipment continues to be visible and legible. Markings and signs that are illegible shall be corrected;
- refrigeration pipe or components are installed in a position where they are unlikely to be exposed to any substance which may corrode refrigerant containing components, unless the components are constructed of materials which are inherently resistant to being corroded or are suitably protected against being so corroded.

### 2.2.9 Checks to electrical devices

Repair and maintenance to electrical components shall include initial safety checks and component inspection procedures. If a fault exists that could compromise safety, then no electrical supply shall be connected to the circuit until it is satisfactorily dealt with. If the fault cannot be corrected immediately but it is necessary to continue operation, an adequate temporary solution shall be used. This shall be reported to the owner of the equipment so all parties are advised.

Initial safety checks shall include:

- those capacitors are discharged: this shall be done in a safe manner to avoid possibility of sparking;
- that there no live electrical components and wiring are exposed while charging, recovering or purging the system;
- that there is continuity of earth bonding.



**WARNING**

**WARNING!**

Install the unit in rooms which exceed 9 m<sup>2</sup>.

Do not install the unit in a place where inflammable gas may leak.



**NOTE!**

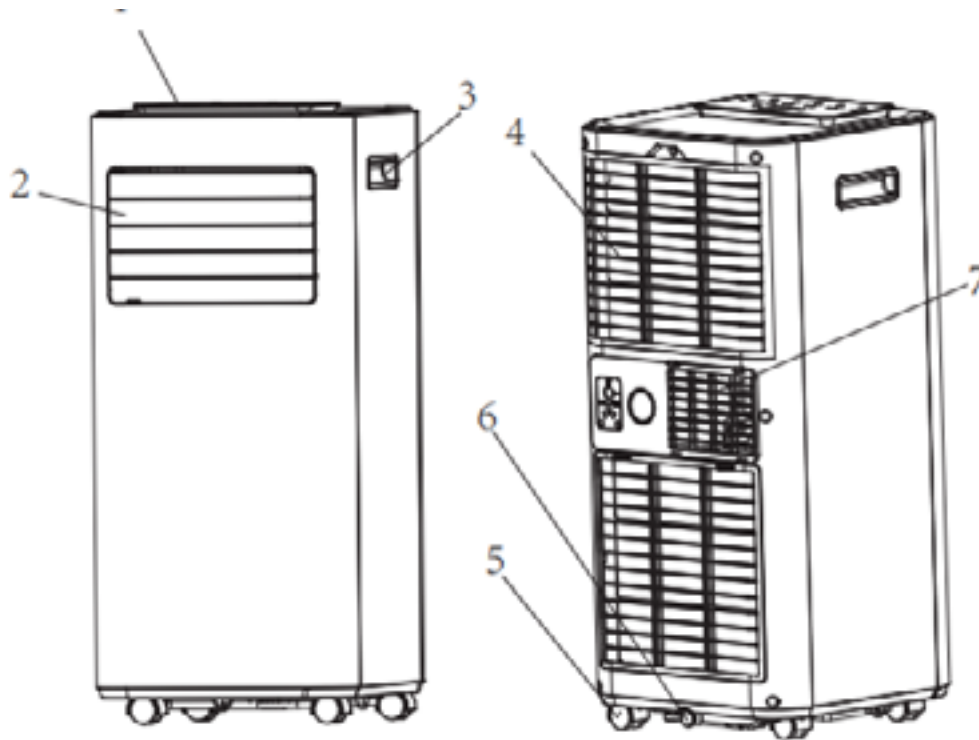
The manufacture may provide other suitable example or may provide additional information about the refrigerant odour.



## 3. PRODUCT OVERVIEW

EN

### 3.1 PRODUCT DIAGRAM



1	Control panel
2	Air outlet with adjustable louver
3	Handle
4	Air inlet with air filter
5	Caster
6	Drainage Hole
7	Air Exhaust

Note: The appearance is only for reference. Please see the real product for detailed information.

## 3.2 FEATURES

- High Capacity in a compact size with fan, cooling and dehumidifying function.
- Temperature setting and display
- LED Digital display
- Electronic control with built-in timer, sleep mode
- Self-evaporating system for better efficient
- Auto shut off when tank full
- Automatic restart in the event of power outage
- Auto defrosting function at low ambient temperatures
- Remote control
- 2- speed fan
- Casters for easy mobility

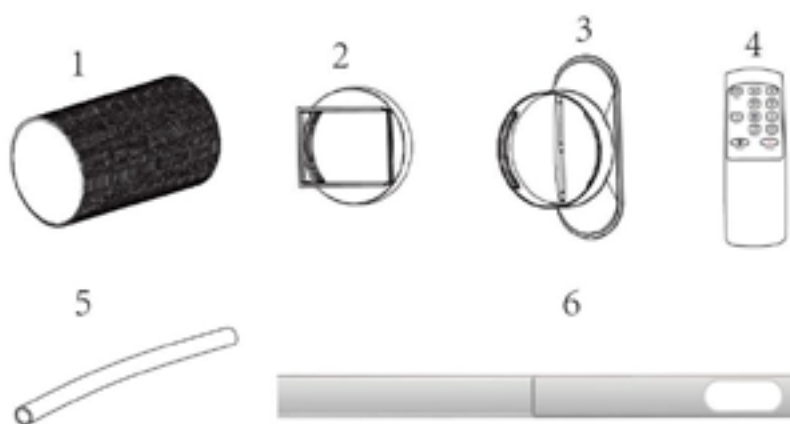
Portable Air Conditioner	OL-BKYR20-A010N	OL-BKYR26-A010N
Technical Parameters		
Power Supply	AC220-240V/50Hz	AC220-240V/50Hz
Cooling capacity	7000BTU	9000BTU
Heating Capacity	6300BTU	7000BTU
Cooling Input Power/ Current	780W/3.5A	1005W/4.5A
Heating Input Power/ Current	685W/3.0A	835W/3.8A
Air Circulation	290m <sup>3</sup> /h	290m <sup>3</sup> /h
Refrigerant	R290	R290
Noise Level	≤65dB	≤65dB
Timer	0-24hr	0-24hr
Body size	W300*D300*H700mm	W300*D300*H700mm
Net weight	20kg	21kg

## 4. INSTALLATION

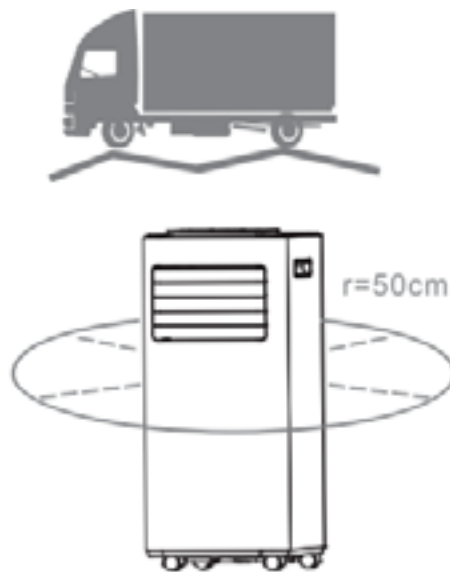
EN

### 4.1 UNPACKING

- Unpack the carton and take the appliance and accessories out.
- Check the device after unpacking for any damage or scratches on it.
- Accessories:
  - 1. Exhaust hose
  - 2. Hose connector
  - 3. Window kit adapter
  - 4. Remote control
  - 5. Drain pipe
  - 6. Window kit



## 4.2 CHOOSE YOUR LOCATION



- If tipped more than 45°, allow the unit to set upright for at least 24 hours before start up.
- Place the unit on a firm, level surface in an area with at least 50cm of free space around it to allow for proper air circulation.
- Do not operate in close proximity to walls, curtains, or other objects that may block air inlet and outlet. Keep the air inlet and outlet free of obstacles.

### Never install the unit where it could be subject to:

- Heat sources such as radiators, heat registers, stoves or other products that produce heat.
- Direct sunlight
- Mechanical vibration or shock
- Excessive dust
- Lack of ventilation, such as cabinet or bookcase
- Uneven surface



**WARNING**

### WARNING!

Install the unit in rooms which exceed 9 m<sup>2</sup>.

Do not install the unit in a place where inflammable gas may leak.



### NOTE!

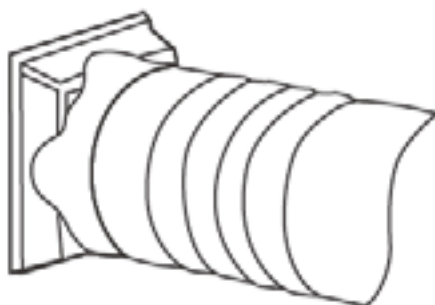
The manufacture may provide other suitable example or may provide additional information about the refrigerant odour.

## 4.3 ATTACH THE EXHAUST HOSE

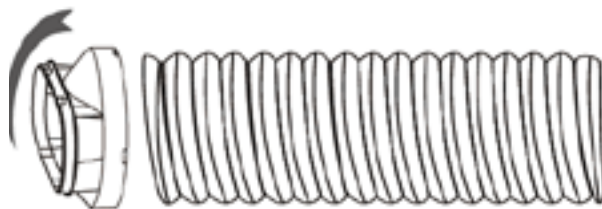
The air conditioner requires being vented outside so that the exhaust air can escape the room which coming from the appliance contains waste heat and moisture.

Do not replace or extend exhaust hose which will result in decreased efficiency, even worse shut down the unit due to low backpressure.

**Step 1:** Connect the hose connector to one end of the exhaust hose.



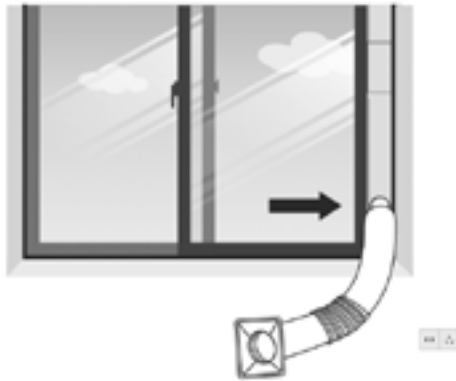
**Step 2:** Connect the windows kit adapter to the other end of the exhaust hose.



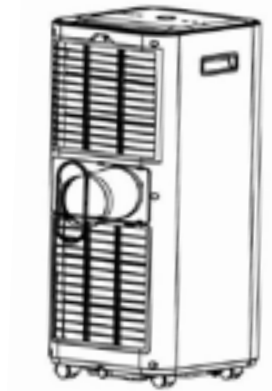
**Step 3:** Extend the adjustable window kit the length of your window. Connect the exhaust hose to the window kit.



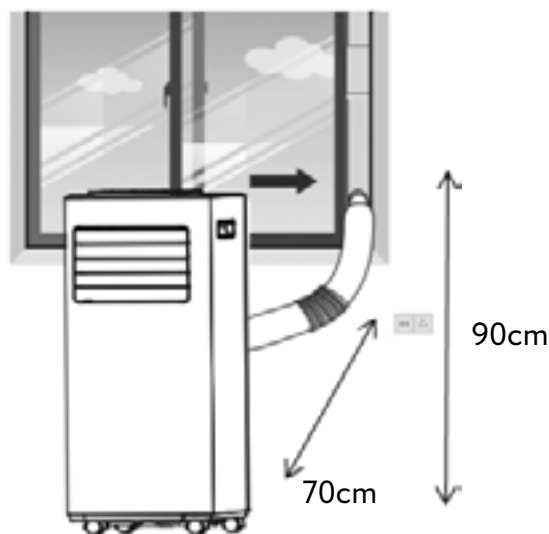
**Step 4:** Close your window to secure the kit in place. It needs to hold the windows kit firmly in place, secure the window kit with duct tape if required. It is recommended that the gap between the adapter and the sides of the window should be sealed off for maximum efficiency.



**Step 5:** Attach the hose connector to the exhaust air outlet of unit.



**Step 6:** Adjusting the length of the flexible exhaust hose, to make sure the distance between the unit and the window will be more than 70cm, height from exhaust hose to the floor will be more than 90cm. And avoid bends in the hose. Then place AC near an electrical outlet.



14 **Step 7:** Adjust the louver at the air outlet, and then switch on the unit.

## 5. OPERATION

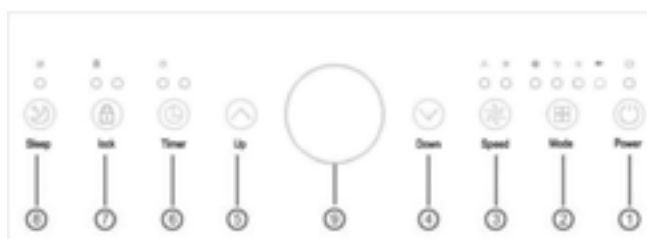
EN

### 5.1 CONTROL PANEL AND DISPLAY

The air conditioner requires being vented outside so that the exhaust air can escape the room which coming from the appliance contains waste heat and moisture.

Do not replace or extend exhaust hose which will result in decreased efficiency, even worse shut down the unit due to low backpressure.

**Step 1:** Connect the hose connector to one end of the exhaust hose.



1	POWER	Press to switch the machine on or off.
2	MODE	Press to switch the operation mode between fan, cooling ,heating and dehumidifier.
3	SPEED	Press to switch the fan speed between HIGH and LOW
4	DOWN	Decreasing the desired temperature or timer setting.
5	UP	Increasing the desired temperature (16 °C ~ 32 °C) or timer setting.
6	TIMER	Sets a time for the unit to automatically start or stop.
7	SLEEP	Press to turn on sleep mode or off.
8	LOCK	Long press to turn on or turn off the child lock function
9	LED Display	Displays timer setting and room temperature.

## 5.2 REMOTE CONTROL

### 5.3 SETTINGS

#### 5.3.1 Start-up and Shutdown

- Press POWER to turn the unit on.
- Press MODE button to select the desired operation mode.
- Press POWER again to turn off the power.

#### 5.3.2 Operation mode

The unit has five operation modes: Fan, Cool, Heat, Dehumidifier, sleep.

#### A. COOLING YOUR ROOM

Select the cool mode to lower the temperature in your room.

- Press MODE button repeatedly until the COOL indicator lights up.
- Press Up/Down button to adjust the temperature which is displayed on the screen. The temperature can be set between 16 °C and 32 °C .
- Press SPEED button repeatedly until the desired fan speed indicator lights up.

To control the direction of the air flow horizontally, please adjust the inner louver by hand.

Note: The air conditioner stops if the room temperature is lower than selected temperature.

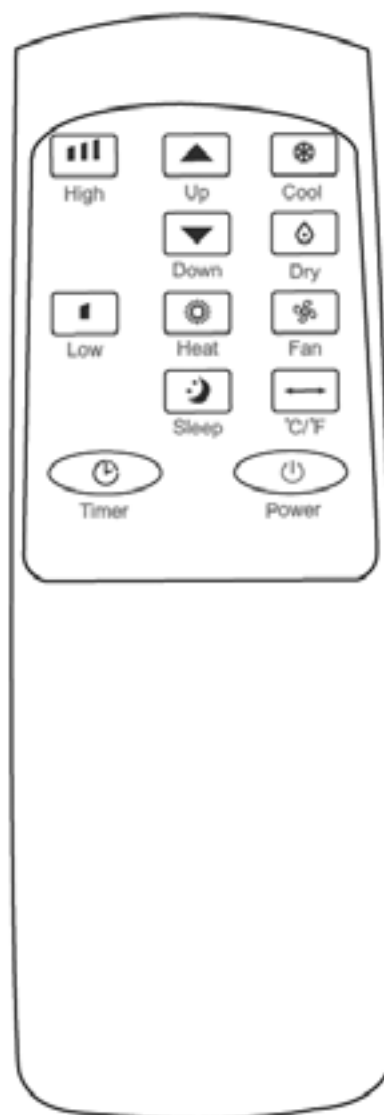
#### B. HEATING YOUR ROOM(Optional for Heating Function Unit only)

- Press MODE button repeatedly until the HEAT indicator lights up.
- Press Up/Down button to set the temperature higher than the room temperature. The fan speed can also be set.

Note: The drainage hose should be attached to the unit for continuous operating.

#### C. VENTILATING YOUR ROOM

- Press MODE button repeatedly until the FAN indicator lights up.  
In ventilation mode the room air is circulated, but not cooled.
- Press SPEED button repeatedly to select the fan speed as desired.





## D. DRYING YOUR ROOM

- Press MODE button on the control panel or remote control, the dry indicator lights up. The fan speed is unable to select. User should connect the hose to the drain outlet at the bottom of the unit.

Note: In this mode, the fan speed switches over to low speed and cannot be selected.

## E. SLEEP MODE

The sleep mode can be activated when in cool mode.

- In cool mode :

After 1 hour the preset temperature is increased by 1 °C, after another hour the preset temperature will again be increased by 1 °C.

- In heat mode (Optional for Heating Function Unit only):

After 1 hour the preset temperature is decreased by 1 °C, after another hour the preset temperature will again be decreased by 1 °C.

Then the temperature is kept constant for 10 hours. And all the indicators dim to dark. The fan speed may switch over to low speed for silent operating and cannot be selected.

To turn off  
(When power on)

→ Press **Timer** key to turn on the timer function.

→ Press **Up /Down** repeatedly to set the delay OFF time.

### 5.3.3 TIMER SETTING (1hour-24hours):

The timer has two ways of operation:  
To turn on  
(When power off)

→ Press **Timer** key to turn on the timer function.

→ Press **Up /Down** repeatedly to set the delay ON time.

Cancel timer →

Press **Up /Down** repeatedly until the LED shows '00'.  
Note: when press **POWER** will also exit the timer setting.

### 5.3.4 AUTOMATIC DEFROST

At low room temperatures, frost may buildup at the evaporator during operation. The unit will automatically start defrosting and the POWER LED blinking. The defrost control sequence is as follows:

A. When the unit operates in the cooling operation, drying operation, the ambient temperature sensor senses the evaporator coil temperature is below -1°C, after the compressor will stop operating for 10 minutes or the coil temperature up to 7 °C, the unit restart to cool operating mode.

B. When the unit operates in the drying operation, once the coil temperature sensor senses the temperature of the evaporator is below 40 °C and the differential temperature between coil temperature and room temperature is below 19 °C after the compressor operation for 20minutes, the unit start defrosting for 5 minutes and the power indicator blinking.

### 5.3.5 OVERLOAD PROTECTION

In the event of a power loss, to protect the compressor there is a 3-minute delay until the compressor restarting.

## 5.4 DRAINAGE

### Manual drainage:

- 1 When the machine stops after the water is full, please unplug the power plug.

Notes: Please move the machine carefully, so as not to spill the water in the water pan at the bottom of the body.

- 2 Place the water container below the side water outlet behind the body.
- 3 Unplug the water plug, the water will automatically flow into the water container.

Notes:

1. Keep the water plug properly.
2. During drainage, the body can be tilted slightly backwards.
3. If the water container cannot hold all the water, before the water container is full, stuff the water outlet with the water plug as soon as possible to prevent water from flowing to the floor or the carpet.
- 4 When the water is discharged, stuff the water plug.

Notes: 1. Restart the machine after the water plug and drainage cover are installed, otherwise condensate water of the machine will flow to the floor or the carpet.



### CONTINUOUS DRAINAGE

The self-evaporating system uses the collected water to cool the condenser coils for better efficient performance. It is no need to empty the drainage tank in cooling operation except in drying operation and high humidity conditions. The condensate water evaporates at the condenser and evacuated through the exhaust hose.

For continuous operation or unattended operating in drying operation, please connect the attached drain hose to the unit. Condensate water can be automatically flow into a bucket or drain by gravity.

- Switch off the unit before operating.
- Remove the plug of the water outlet opening, and keep it in safe area.
- Securely and properly connect the drain hose and make sure it is not kinked and clear of obstruction.
- Place the outlet of hose over a drain or bucket and ensure that water could freely flow out of the unit.
- Do not submerge the end of hose into water; otherwise it can cause "Air Lock" in the hose.



#### **TO AVOID WATER SPILLAGE:**

- As the negative pressure of condensate drain pan is large, tilt the drain hose downward toward the floor. It is appropriate that the degree of inclination should exceed 20 degrees.
- Straighten the hose to avoid a trap existing in the hose.

## 6.1. CLEANING THE AIR FILTER (every two weeks)

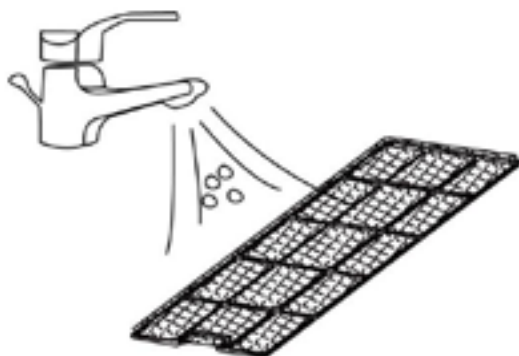
Dust collects on the filter and restricts the airflow. The restricted airflow reduces the efficiency of the system and if it becomes blocked it can cause damage to the unit.

The air filter requires regular cleaning. The air filter is removable for easy cleaning. Do not operate the unit without an air filter, or the evaporator may be contaminated.

1. Press POWER button to switch off the unit and unplug the power cord.
2. Remove the filter mesh from the unit.
3. Use a vacuum cleaner to suck dust from the filter.
4. Turn the filter over and rinse the air filter under running water. Let the water run through the filter in the opposite direction of air flow. Set aside and allow the filter to air dry completely before reinstalling.

Switch off the unit and remove the air filters.

Rinse the air filter under running water.



### **WARNING!!!**

Do not touch the evaporator surface with bare-hand, or could cause injury of your fingers.

## 6.2. CLEANING UP OF REFRIGERANT

### **GENERAL MEASURES:**

1. Gas/vapor heavier than air. May accumulate in confined spaces, particularly at or below ground level.
2. Eliminate every possible source of ignition.
3. Use appropriate personal protection equipment (PPE).
4. Evacuate unnecessary personnel, isolate, and ventilate area.
5. Do not get in eyes, on skin, or on clothing. Do not breathe vapors or gas.
6. Prevent entry to sewers and public waters.
7. Stop the source of the release, if safe to do so. Consider the use of water spray to disperse vapors.
8. Isolate the area until gas has dispersed. Ventilate and gas test area before entering. Contact competent authorities after a spill.

## 7. TROUBLESHOOTING

EN

SYMPTOM		INSPECTION	SOLUTION
The unit is not operating.		✓ Check the power connection in securely.	→ Insert the power cord securely into the wall Outlet.
		✓ Check if the water level indicator lights up?	→ Empty the drain pan by remove the rubber plug.
		✓ Check the room temperature.	→ The range of operating temperature is 5-35°C.
The unit works with reduced capacity.		✓ Check the air filter for dirt.	→ Clean the air filter as necessary.
		✓ Check if the air duct is blocked.	→ To clear the obstacle.
		✓ Check if the room door or window is open.	→ Keep the door and windows closed.
		✓ Check if the desired operating mode is selected and the temperature is properly set.	→ Set the mode and temperature at proper set-point according the manual.
		✓ The exhaust hose is detached.	→ Make sure the exhaust hose is securely attached.
Water Leakage		✓ Overflow while moving the unit.	→ Empty the water tank before transport.
		✓ Check if the drain hose is kinked or bends.	→ Straighten the hose to avoid a trap existing.
Excessive Noise		✓ Check if the unit is securely positioned.	→ Place the unit on horizontal and firm ground.
		✓ Check if any loose, vibrating parts.	→ Secure and tight the parts.
		✓ Noise sounds like water flowing.	→ Noise comes from flowing refrigerant. This is normal.
Error Codes	E0	✓ Communication faults between main PCB and display PCB.	→ Check the wire harness of the display PCB for damage.
	E1	✓ Ambient temperature sensor failure	→ Check connection or replace it. To clean or replace the temperature sensor.
	E2	✓ Coil temperature sensor failures.	→ Check connection or replace it. To clean or replace the temperature sensor.
	Ft	✓ Condensate water high level alarm.	→ Empty the drain pan by removal the rubber plug.

## 8. DECOMMISSIONING

### 8.1. STORAGE

Long-Term Storage - If you will not be using the unit for an extended period of time (more than a few weeks) it is best to clean the unit and dry it out completely. Please store the unit per the following steps:

1. Unplug the unit and remove exhaust hose and window kit store with the unit.
2. Drain the remaining water from the unit.
3. Clean the filter and let the filter dry completely in a shaded area.
4. Re-install the filter at its position.
5. The unit must be kept in upright position when in storage.
6. Preserving the machine in ventilating, dry, non- corrosive gas and safe place indoor.

#### ATTENTION:

The evaporator inside the machine has to be dried out before the unit is packed to avoid component damage and molds. Unplug the unit and place it in a dry open area for days to dry it out. Another way to dry the unit is turn on the machine, adjust it to low-wind ventilation mode, and maintain this state until the drainage pipe becomes dry, so as to keep the inside of the body in a dry state and prevent it from mildewing.

### 8.2. DISPOSAL



**WARNING**

Releasing refrigerant into atmosphere is strictly forbidden!



Do not dispose of electrical appliances as unsorted municipal waste, use separate collection facilities. Contact your local government for information regarding the collection systems available. If electrical appliances are disposed of in land-fills or dumps, hazardous substances can leak into the groundwater and get into the food chain, damaging your health and well-being.

## WARRANTY

The manufacturer guarantees the conformity of the product with the design description, assuming compliance with the assembly and operating instructions.

**Warranty period - 2 years from the date of purchase.**

If a defect occurs within the warranty period, which is due to defective manufacture, the customer has the right to subsequent performance. Damage due to improper handling, damage due to someone else's fault, incorrect installation (not following the instructions) or their consequential damages, are excluded from the warranty. Please keep your proof of purchase. Warranty services will only be provided upon presentation of the proof of purchase.

## GARANTIE

### Conformity

Zhejiang Oulun Electronic Co. Ltd. hereby declares that the products comply with the following directives: Directive 2014/35/EU The Declaration of Conformity can be found at the following link: [https://www.bodenheizung-24.de/pub/media/50305330\\_019\\_AN\\_50566167\\_0001cert\\_extsigned.pdf](https://www.bodenheizung-24.de/pub/media/50305330_019_AN_50566167_0001cert_extsigned.pdf)

### Disposal instructions according to DIRECTIVE 2002/96/CE

Old units must not be disposed of with household waste! If the air conditioner is no longer used, every consumer is required by law to dispose of old devices separately from household waste, e.g. at a collection point in his community / district. This ensures that old appliances are recycled properly and that negative effects on the environment are avoided. This is why electrical appliances are marked with this symbol.



Dispose of the packaging according to type. Put cardboard and carton in the waste paper collection, foils in the recyclables collection.

**IMPORTER: warm-on GmbH, i\_Park Tauberfranken 18, D-97922 Lauda-Königshofen, Germany**

Tel. +49 (0)9343-9809061 (Customer Support)

**MANUFACTURER: Zhejiang Oulun Electronic Co. Ltd., No.17, Tangmei Road, Economic Development Zone, Linping District, Hangzhou, P.R. China**

All information is correct and reliable to the best of our knowledge.  
Changes, errors and misprints do not justify any claim for compensation.  
Liability is exclusively subject to our general terms and conditions.  
We reserve the right to make technical changes without prior notice.  
[www.warm-on.com](http://www.warm-on.com) | [www.bodenheizung-24.de](http://www.bodenheizung-24.de)

### GUARANTEE CARD AND TEST RECORD

The completed guarantee card is necessary for warranty claims.





WARM-ON

FR

# Climatiseur Portable

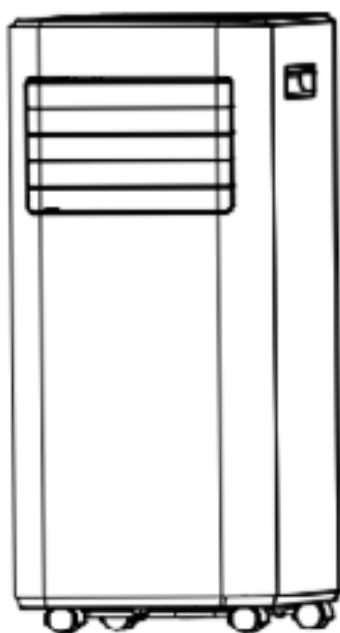
Climatiseur d'appoint

Climatiseur portable AC20N blanc

Climatiseur portable AC26N blanc

## Manuel d'Utilisation

Instructions d'origine



Refroidissement & Chauffage  
(avec réfrigérant R290)

CE  
0305



## SOMMAIRE:

1. INTRODUCTION
2. POUR VOTRE SÉCURITÉ
3. VUE D'ENSEMBLE DU PRODUIT
4. INSTALLATION
5. FONCTIONNEMENT
6. NETTOYAGE ET ENTRETIEN
7. DÉPANNAGE
8. MISE HORS SERVICE

## 1.1 DESCRIPTION DU PRODUIT

Nos puissants climatiseurs portables sont d'excellentes solutions de rafraîchissement pour les pièces individuelles, créant une atmosphère confortable dans votre espace. Ils disposent également d'une fonction de ventilation et de déshumidification pour faire circuler l'air et éliminer l'humidité. Ce sont des systèmes autonomes qui ne nécessitent pas d'installation permanente, ce qui vous permet de les déplacer dans l'espace où ils sont le plus utiles. Ils sont couramment utilisés dans les cuisines, les locaux temporaires, les salles informatiques, les garages et de nombreux autres endroits où l'installation d'un climatiseur extérieur est limitée.

Le réfrigérant utilisé est le R290, un produit respectueux de l'environnement. Le R290 n'a pas d'influence néfaste sur la couche d'ozone (ODP), un effet de serre négligeable (GWP) et est disponible dans le monde entier. En raison de ses propriétés énergétiques efficaces, le R290 convient parfaitement comme réfrigérant pour cette application. Des précautions particulières doivent être prises en considération en raison de la grande inflammabilité du liquide de refroidissement.

## 1.2 SYMBOLES DE L'APPAREIL ET DU MANUEL DE L'UTILISATEUR



WARNING

Cet appareil utilise un réfrigérant inflammable. Si le réfrigérant fuit et entre en contact avec un feu ou une pièce chauffante, il crée un gaz nocif et il y a un risque d'incendie.



Lisez attentivement le MANUEL D'UTILISATION avant d'utiliser l'appareil.



De plus amples informations sont disponibles dans le MANUEL D'UTILISATION, le MANUEL D'ENTRETIEN, etc.



Le personnel d'entretien est tenu de lire attentivement le MANUEL D'UTILISATION et le MANUEL D'ENTRETIEN avant d'utiliser l'appareil.

## POUR DES RAISONS DE SÉCURITÉ, IL CONVIENT DE TOUJOURS RESPECTER LES POINTS SUIVANTS

- Cet appareil est destiné à être utilisé par des utilisateurs experts ou formés dans des magasins, dans l'industrie légère et dans des fermes, ou pour un usage commercial par des personnes non initiées.
- Cet appareil peut être utilisé par des enfants à partir de 8 ans et par des personnes dont les capacités physiques, sensorielles ou mentales sont réduites ou qui manquent d'expérience et de connaissances, à condition qu'ils aient reçu une surveillance ou des instructions concernant l'utilisation de l'appareil en toute sécurité et qu'ils comprennent les risques encourus. Les enfants ne doivent pas jouer avec l'appareil. Le nettoyage et l'entretien ne doivent pas être effectués par des enfants sans surveillance.
- L'appareil est conçu uniquement pour être utilisé avec du gaz R-290 (propane) comme réfrigérant désigné.

### **La boucle de réfrigérant est scellée. Seul un technicien qualifié doit tenter de l'entretenir !**

- Ne pas rejeter le réfrigérant dans l'atmosphère.
- Le R-290 (propane) est inflammable et plus lourd que l'air.
- Il s'accumule d'abord dans les zones basses mais peut être brassé par les ventilateurs.
- Si du gaz propane est présent ou même suspecté, ne laissez pas du personnel non formé tenter d'en trouver la cause.
- Le gaz propane utilisé dans l'appareil n'a pas d'odeur.
- L'absence d'odeur ne signifie pas qu'il n'y a pas de fuite de gaz.
- Si une fuite est détectée, évacuez immédiatement toutes les personnes du magasin, ventilez la pièce et contactez les pompiers locaux pour les informer qu'une fuite de propane s'est produite.
- Ne laissez personne retourner dans la pièce avant l'arrivée d'un technicien d'entretien qualifié qui vous indiquera qu'il est possible d'y retourner en toute sécurité.
- Aucune flamme nue, cigarette ou autre source d'inflammation ne doit être utilisée à l'intérieur ou à proximité des appareils.
- Les pièces détachées sont conçues pour le propane et ne produisent pas d'incidences ni d'étincelles. Les pièces ne doivent être remplacées que par des pièces de rechange identiques.

**LE NON-RESPECT DE CET AVERTISSEMENT PEUT ENTRAÎNER UNE EXPLOSION, LA MORT, DES BLESSURES ET DES DOMMAGES MATÉRIELS.**

### VOTRE SÉCURITÉ EST CE QUI NOUS PRÉOCCUPE AVANT TOUTE CHOSE!



WARNING

**VEUILLEZ LIRE ATTENTIVEMENT CE MANUEL ET LE COMPRENDRE PARFAITEMENT AVANT D'UTILISER VOTRE APPAREIL.**

#### 2.1 PRÉCAUTIONS D'EMPLOI

#### **AVERTISSEMENT - POUR RÉDUIRE LES RISQUES D'INCENDIE, D'ÉLECTROCUTION OU DE BLESSURES AUX PERSONNES OU AUX BIENS:**

- Si le cordon d'alimentation est endommagé, il doit être remplacé par le fabricant, son agent de service ou des personnes de qualification similaire afin d'éviter tout danger.
- L'appareil doit être débranché de sa source d'alimentation pendant l'entretien.
- Faites toujours fonctionner l'appareil à partir d'une source d'alimentation de même tension, fréquence et puissance que celles indiquées sur la plaque d'identification du produit.
- Utilisez toujours une prise de courant mise à la terre.
- Débranchez le cordon d'alimentation lors du nettoyage ou lorsque l'appareil n'est pas utilisé.
- Ne pas utiliser l'appareil avec des mains mouillées. Empêchez l'eau de se répandre sur l'appareil.
- Ne pas immerger ou exposer l'appareil à la pluie, à l'humidité ou à tout autre liquide.
- Ne laissez pas l'appareil fonctionner sans surveillance. Ne pas incliner ou retourner l'appareil.
- Ne pas débrancher l'appareil lorsqu'il fonctionne.
- Ne débranchez pas l'appareil en tirant sur le cordon d'alimentation.
- N'utilisez pas de rallonge ou d'adaptateur.
- Ne placez pas d'objets sur l'appareil.
- Ne pas grimper ou s'asseoir sur l'appareil.
- N'insérez pas vos doigts ou d'autres objets dans la sortie d'air.

- Ne pas toucher l'entrée d'air ou les ailettes en aluminium de l'appareil.
- N'utilisez pas l'appareil s'il est tombé, s'il est endommagé ou s'il présente des signes de dysfonctionnement.
- Ne nettoyez pas l'appareil avec des produits chimiques.
- Veillez à ce que l'appareil soit éloigné de tout feu, objet inflammable ou explosif.
- L'appareil doit être installé conformément aux réglementations nationales en matière de câblage.
- N'utilisez pas d'autres moyens que ceux recommandés par le fabricant pour accélérer le processus de dégivrage ou pour nettoyer l'appareil.
- L'appareil doit être stocké dans une pièce dépourvue de sources de fonctionnement continu (par exemple : flammes nues, appareil à gaz en fonctionnement ou radiateur électrique en fonctionnement).
- L'appareil doit être stocké de manière à éviter tout dommage mécanique.
- Ne pas couper ou brûler l'appareil, même après son utilisation.
- Sachez que les réfrigérants peuvent ne pas avoir d'odeur.
- Les tuyauteries doivent être protégées contre les dommages physiques et ne doivent pas être installées dans un espace non ventilé, si cet espace est inférieur à 9m<sup>2</sup>.
- Les réglementations nationales en matière de gaz doivent être respectées.
- Veillez à ce que les ouvertures de ventilation nécessaires ne soient pas obstruées.
- L'appareil doit être stocké dans un endroit bien ventilé où la taille de la pièce correspond à la surface spécifiée pour le fonctionnement.



**WARNING**

Toute personne amenée à travailler sur un circuit de réfrigération doit être titulaire d'un certificat en cours de validité délivré par une autorité d'évaluation accréditée par l'industrie, qui atteste de sa capacité à manipuler des réfrigérants en toute sécurité conformément à une spécification d'évaluation reconnue par l'industrie.



**WARNING**

L'entretien ne doit être effectué que selon les recommandations du fabricant de l'équipement. L'entretien et les réparations nécessitant l'assistance d'autres personnes qualifiées doivent être effectués sous la supervision de la personne compétente en matière d'utilisation de réfrigérants inflammables.

Si vous ne comprenez pas quelque chose ou si vous avez besoin d'aide, veuillez contacter les services du revendeur.

## 2.2 PRÉCAUTIONS DE SÉCURITÉ POUR L'ENTRETIEN

Please follow these warnings when to undertake the following when servicing an appliance with R290.

### 2.2.1 Contrôle de la zone de travail

Avant de commencer à travailler sur des systèmes contenant des réfrigérants inflammables, des contrôles de sécurité sont nécessaires pour s'assurer que le risque d'inflammation est réduit au minimum. Pour les réparations du système frigorifique, les précautions suivantes doivent être prises avant d'effectuer des travaux sur le système.

### 2.2.2 Procédure de travail

L'entretien doit être entrepris dans le cadre d'une procédure contrôlée de manière à réduire au minimum le risque de présence de gaz ou de vapeurs inflammables durant son exécution.

### 2.2.3 Espace de travail

Tout le personnel d'entretien et les autres personnes travaillant dans la zone alentour doivent être informés de la nature du travail effectué. Le travail dans des espaces confinés doit être évité. La zone entourant l'espace de travail doit être délimitée. Il faut s'assurer que les conditions à l'intérieur de la zone ont été rendues sûres par le contrôle des matériaux inflammables.

### 2.2.4 Vérification de la présence de fluide réfrigérant

La zone de travail doit être contrôlée à l'aide d'un détecteur de réfrigérant approprié avant et pendant les travaux, afin de s'assurer que le technicien soit informé en cas d'atmosphère potentiellement inflammable. Assurez-vous que l'équipement de détection des fuites utilisé est adapté aux réfrigérants inflammables, c'est-à-dire qu'il ne produit pas d'étincelles, qu'il est correctement scellé ou qu'il est intrinsèquement sûr.

### 2.2.5 Présence d'un extincteur

Si un travail à chaud doit être effectué sur l'équipement de réfrigération ou sur toute pièce associée, un équipement d'extinction d'incendie approprié doit être disponible. Un extincteur à poudre sèche ou à CO<sub>2</sub> doit se trouver à proximité de la zone de travail.

### 2.2.6 Absence de sources d'inflammation

Toute personne effectuant des travaux en rapport avec un système de réfrigération impliquant une tuyauterie contenant ou ayant contenu un réfrigérant inflammable ne doit en aucun cas utiliser de sources d'inflammation risquant d'entraîner un risque d'incendie ou d'explosion. Toutes les sources d'inflammation possibles, y compris la cigarette, doivent être maintenues à une distance suffisante de la zone de travail, de réparation, d'enlèvement et d'élimination, au cours desquels du réfrigérant inflammable peut éventuellement être libéré dans l'espace environnant. Avant le début des travaux, la zone autour de l'équipement doit être contrôlée et rendue exempte de risques d'inflammation. Des panneaux "Interdiction de fumer" doivent être affichés.

### 2.2.7 Ventilation

Assurez-vous que la zone de travail soit en extérieur ou qu'elle soit correctement ventilée avant de pénétrer dans le système ou d'effectuer un travail à chaud. La ventilation doit être maintenue pendant la durée des travaux. La ventilation doit permettre de disperser en toute sécurité tout réfrigérant libéré et de l'expulser de préférence dans l'atmosphère.

## 2.2.8 Contrôles de l'équipement de réfrigération

Lorsque des composants électriques sont remplacés, ils doivent être adaptés à l'usage prévu et répondre aux spécifications requises. Les directives d'entretien et de maintenance du fabricant doivent être respectées à tout moment. En cas de doute, consultez le service technique du fabricant pour obtenir de l'aide.

Les contrôles suivants doivent être appliqués aux installations utilisant des réfrigérants inflammables :

- La taille de la charge est conforme à la taille de la pièce dans laquelle sont installées les parties contenant du réfrigérant ;
- Les dispositifs de ventilation et les sorties d'air fonctionnent correctement et ne sont pas obstrués ;
- Si un circuit frigorifique indirect est utilisé, la présence de réfrigérant doit être vérifiée dans le circuit secondaire ;
- Le marquage de l'équipement reste visible et lisible. Les marquages et les signes illisibles doivent être corrigés ;
- Les tuyaux ou les composants frigorifiques sont installés dans un endroit où ils ne risquent pas d'être exposés à une substance susceptible de corroder les composants contenant du réfrigérant, à moins que les composants ne soient construits en matériaux intrinsèquement résistants à la corrosion ou qu'ils ne soient protégés de manière appropriée contre la corrosion.

## 2.2.9 Contrôles des dispositifs électriques

La réparation et l'entretien des composants électriques doivent comprendre des contrôles de sécurité initiaux et des procédures d'inspection des composants. S'il existe un défaut susceptible de compromettre la sécurité, aucune alimentation électrique ne doit être connectée au circuit jusqu'à ce que le problème soit résolu de manière satisfaisante. Si le défaut ne peut être corrigé immédiatement mais qu'il est nécessaire de poursuivre l'exploitation, une solution temporaire adéquate doit être utilisée. Cette solution doit être signalée au propriétaire de l'équipement afin que toutes les parties soient informées.

Les contrôles de sécurité préalables incluent les vérifications suivantes :

- les condensateurs sont déchargés : cette opération doit être effectuée de manière sûre afin d'éviter tout risque d'étincelle ;
- aucun composant ou câblage électrique sous tension n'est exposé lors de la charge, de la récupération ou de la purge du système ;
- il n'y a pas de composants et de câbles électriques sous tension pendant la charge, la récupération ou la purge du système.

### ATTENTION!!



**WARNING**

Installez l'appareil dans des pièces de plus de 9 m<sup>2</sup>.  
N'installez pas l'appareil dans un endroit où des gaz inflammables peuvent s'échapper.



**NOTE!**

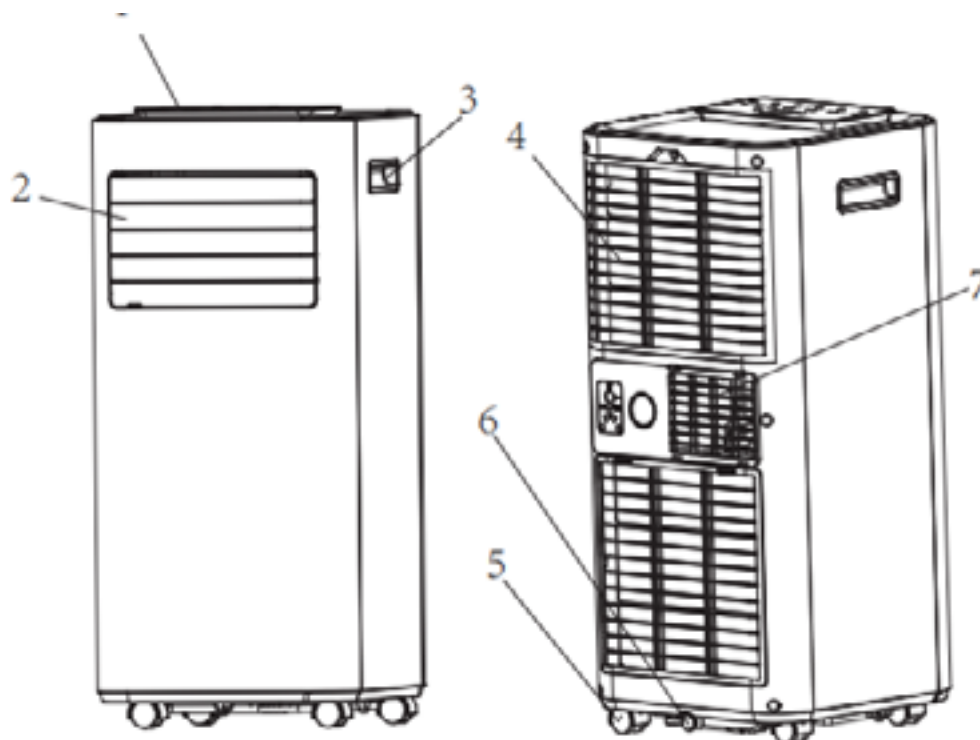
Le fabricant peut fournir d'autres exemples appropriés ou des informations supplémentaires sur l'odeur du réfrigérant.



## 3. APERÇU DU PRODUIT

FR

### 3.1 SCHÉMA DU PRODUIT



1	Panneau de commande
2	Sortie d'air avec filtre
3	Poignée
4	Entrée d'air avec filtre à air
5	Roulettes
6	Sortie de vidange
7	Extraction d'air

Remarque : l'apparence n'est donnée qu'à titre indicatif. Veuillez consulter le produit réel pour obtenir des informations détaillées.

## 3.2 CARACTERISTIQUES

- Grande capacité dans un format compact avec ventilateur, fonction de refroidissement et de déshumidification.
- Réglage et affichage de la température
- Affichage numérique LED
- Contrôle électronique avec minuterie intégrée, mode veille
- Système d'auto-évaporation pour une meilleure efficacité.
- Arrêt automatique lorsque le réservoir est plein
- Redémarrage automatique en cas de coupure de courant
- Fonction de dégivrage automatique à basse température ambiante
- Télécommande
- Ventilateur à 2 vitesses
- Roulettes pour une mobilité aisée

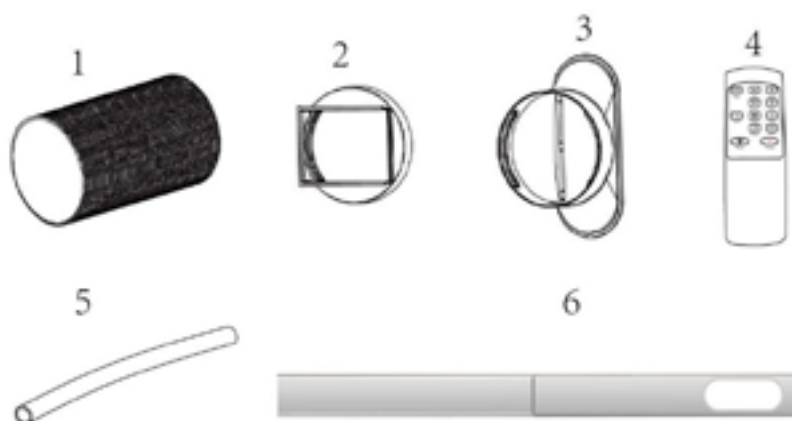
Climatiseur portable	OL-BKYR20-A010N	OL-BKYR26-A010N
Paramètres techniques		
Alimentation électrique	AC220-240V/50Hz	AC220-240V/50Hz
Capacité de refroidissement	7000BTU	9000BTU
Capacité de chauffage	6300BTU	7000BTU
Puissance d'entrée de refroidissement/ Courant	780W/3.5A	1005W/4.5A
Puissance d'entrée de chauffage/ courant	685W/3.0A	835W/3.8A
Circulation de l'air	290m <sup>3</sup> /h	290m <sup>3</sup> /h
Réfrigérant	R290	R290
Niveau sonore	≤65dB	≤65dB
Minuterie	0-24hr	0-24hr
Dimensions	L300*P300*H700mm	L300*P300*H700mm
Poids net	20kg	21kg

## 4. INSTALLATION

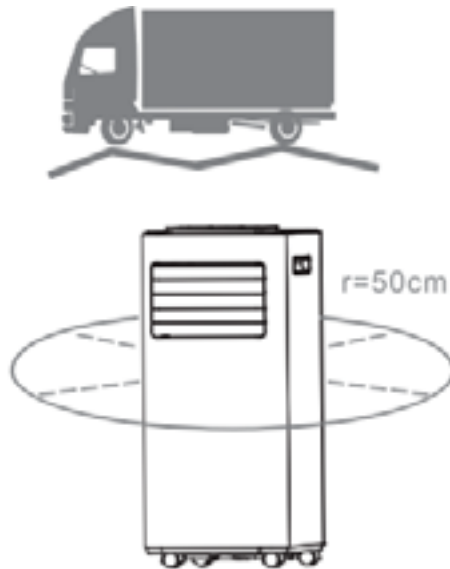
FR

### 4.1 DEBALLAGE

- Ouvrez le carton et sortez l'appareil et les accessoires.
- Après le déballage, vérifiez que l'appareil n'est pas endommagé ou rayé.
- Accessoires :
  1. Tuyau d'évacuation
  2. Connecteur de tuyau
  3. Adaptateur pour kit de fenêtre
  4. Télécommande
  5. Tuyau de vidange
  6. Kit de fenêtre



## 4.2 CHOIX DE L'EMPLACEMENT



- Si l'appareil est incliné à plus de 45°, laissez-le reposer à la verticale pendant au moins 24 heures avant de le mettre en marche.
- Placez l'appareil sur une surface dure et plane, dans un endroit où il y a au moins 50 cm d'espace libre autour de l'appareil pour permettre une bonne circulation de l'air.
- Ne pas utiliser l'appareil à proximité de murs, de rideaux ou d'autres objets susceptibles de bloquer l'entrée et la sortie d'air. Veillez à ce que l'entrée et la sortie d'air soient libres de tout obstacle.

### **N'installez jamais l'appareil dans un endroit où il pourrait être exposé à:**

Des sources de chaleur telles que des radiateurs, des bouches de chaleur, des poêles ou d'autres produits produisant de la chaleur.

La lumière directe du soleil

Vibrations ou chocs mécaniques

Poussière excessive

Manque de ventilation, comme une armoire ou une bibliothèque

Surface inégale



**WARNING**

### **ATTENTION!**

Installez l'appareil dans des pièces de plus de 9 m<sup>2</sup>.

N'installez pas l'appareil dans un endroit où des gaz inflammables peuvent s'échapper



### **NOTE!**

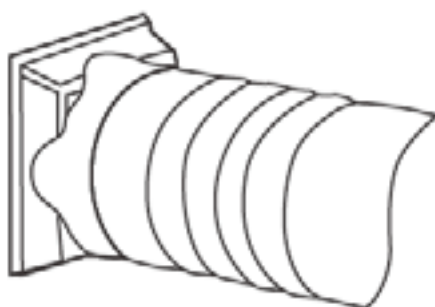
Le fabricant peut fournir d'autres exemples appropriés ou des informations supplémentaires sur l'odeur du réfrigérant.

## 4.3 FIXATION DU TUYAU D'EVACUATION DE L'AIR

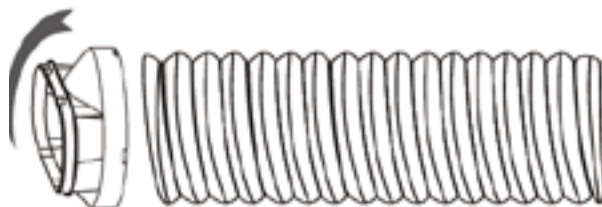
L'air chaud produit par le climatiseur doit être évacué vers l'extérieur de la pièce où se trouve l'appareil.

Ne remplacez pas ou ne rallongez pas le tuyau d'évacuation, ce qui entraînerait une diminution de l'efficacité, voire l'arrêt de l'appareil en raison d'une faible contre-pression.

**Étape 1:** Branchez le raccord de tuyau à l'une des extrémités du tuyau d'évacuation.



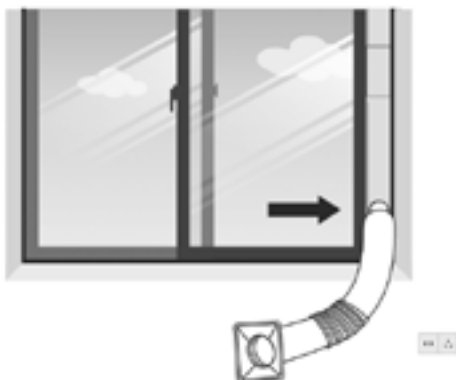
**Étape 2:** Raccordez l'adaptateur du kit de fenêtres à l'autre extrémité du tuyau d'évacuation.



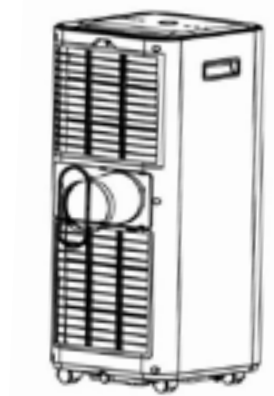
**Étape 3:** Allongez le kit de fenêtre réglable de la longueur de votre fenêtre. Raccordez le tuyau d'évacuation au kit de fenêtre.



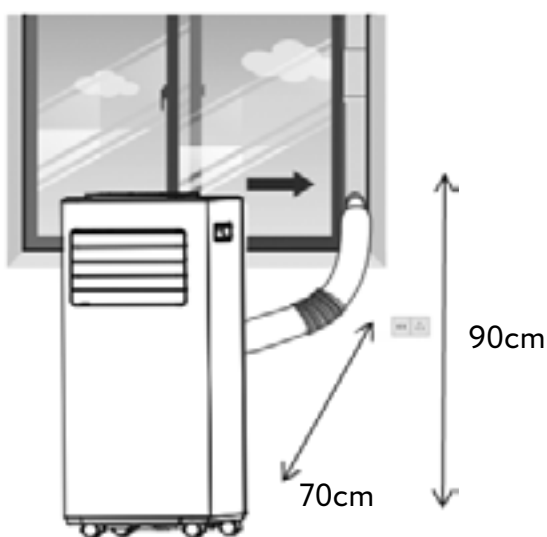
**Étape 4:** Fermez votre fenêtre pour fixer le kit en place. Il doit maintenir le kit de fenêtre fermement en place. Fixez le kit de fenêtre avec du ruban adhésif si nécessaire. Il est recommandé d'obturer l'espace entre l'adaptateur et les côtés de la fenêtre pour une efficacité maximale.



**Étape 5:** Fixez le raccord du tuyau à la sortie d'air d'évacuation de l'appareil.



**Étape 6:** Ajustez la longueur du tuyau d'évacuation flexible pour vous assurer que la distance entre l'appareil et la fenêtre est supérieure à 70 cm et que la hauteur entre le tuyau d'évacuation et le sol est supérieure à 90 cm. Éviter de plier le tuyau. Placez ensuite le climatiseur près d'une prise électrique.



**38** **Étape 7:** Ajustez la sortie d'air, puis mettez l'appareil en marche.

## 5. FONCTIONNEMENT

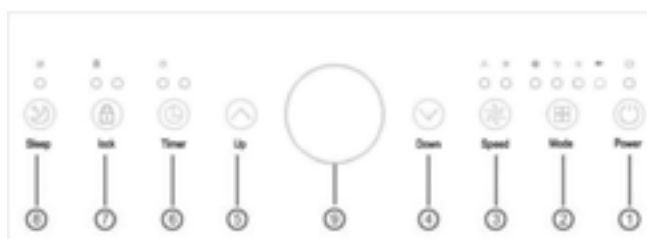
FR

### 5.1 PANNEAU DE COMMANDE ET AFFICHAGE

The air conditioner requires being vented outside so that the exhaust air can escape the room which coming from the appliance contains waste heat and moisture.

Do not replace or extend exhaust hose which will result in decreased efficiency, even worse shut down the unit due to low backpressure.

**Step 1:** Connect the hose connector to one end of the exhaust hose.



1	POWER	Appuyez sur cette touche pour allumer ou éteindre l'appareil.
2	MODE	Appuyez sur cette touche pour passer d'un mode de fonctionnement à l'autre : ventilateur, refroidissement, chauffage et déshumidificateur.
3	SPEED	Appuyez pour changer la vitesse du ventilateur entre HIGH (haut) et LOW (bas)
4	DOWN	Diminution de la température souhaitée ou du réglage de la minuterie.
5	UP	Augmente la température souhaitée (16 °C ~ 32 °C) ou le réglage de la minuterie.
6	TIMER	Définit une heure à laquelle l'appareil doit démarrer ou s'arrêter automatiquement.
7	SLEEP	Appuyez sur cette touche pour activer ou désactiver le mode veille.
8	LOCK	Appuyez longuement pour activer ou désactiver la fonction de verrouillage des enfants.
9	LED Display	Affiche le réglage de la minuterie et la température ambiante.

## 5.2 TÉLÉCOMMANDE

### 5.3 RÉGLAGES

#### 5.3.1 Démarrage et arrêt

- Appuyez sur POWER pour mettre l'appareil en marche.
- Appuyez sur la touche MODE pour sélectionner le mode de fonctionnement souhaité.
- Appuyez à nouveau sur POWER pour éteindre l'appareil.

#### 5.3.2 Mode de fonctionnement

L'appareil dispose de cinq modes de fonctionnement: Ventilation, refroidissement, déshumidification, chauffage.

#### A. REFROIDIR UNE PIÈCE

Sélectionnez le mode froid pour abaisser la température de votre pièce.

- Appuyez sur la touche MODE à plusieurs reprises jusqu'à ce que l'indicateur COOL s'allume.
- Appuyez sur le bouton UP (Haut) / DOWN (Bas) pour régler la température qui s'affiche à l'écran. La température peut être réglée entre 16 °C et 32 °C .
- Appuyez sur le bouton SPEED à plusieurs reprises jusqu'à ce que l'indicateur de vitesse du ventilateur souhaité s'allume.

Pour contrôler la direction du flux d'air horizontalement, veuillez ajuster manuellement la grille intérieure.

Note: Le climatiseur s'arrête si la température de la pièce est inférieure à la température sélectionnée.

#### B. CHAUFFAGE DE LA PIÈCE (EN OPTION POUR L'UNITÉ DE FONCTION CHAUFFAGE UNIQUEMENT)

- Appuyez plusieurs fois sur la touche MODE jusqu'à ce que l'indicateur HEAT s'allume.
- Appuyez sur la touche UP/DOWN pour régler une température supérieure à la température ambiante. La vitesse du ventilateur peut également être réglée.

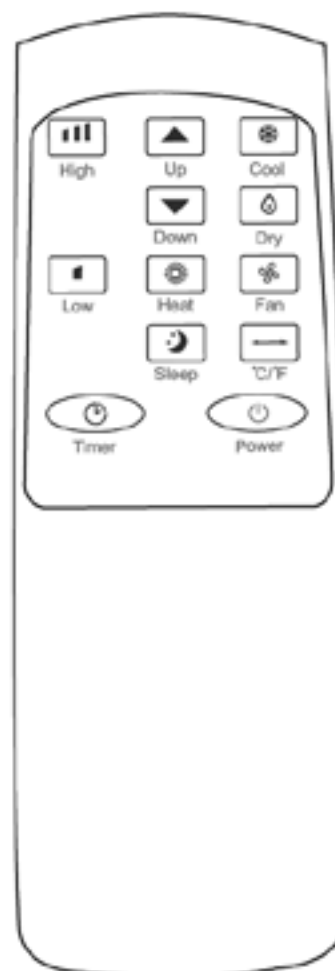
Note: Le tuyau de vidange doit être fixé à l'unité pour un fonctionnement continu.

#### C. VENTILER UNE PIÈCE

- Appuyez sur la touche MODE à plusieurs reprises jusqu'à ce que l'indicateur FAN (ventilateur) s'allume. En mode ventilation, l'air ambiant circule, mais n'est pas refroidi.
- Appuyez plusieurs fois sur la touche SPEED pour sélectionner la vitesse du ventilateur souhaitée.

#### D. DÉSHUMIDIFIER UNE PIÈCE

- Appuyez sur le bouton MODE du panneau de commande ou de la télécommande, le voyant sec s'allume. La vitesse du ventilateur ne peut pas être sélectionnée. L'utilisateur





doit raccorder le tuyau de vidange à la sortie d'évacuation située au bas de l'appareil.

Remarque: dans ce mode, la vitesse du ventilateur passe en vitesse lente et ne peut pas être sélectionnée..

## E. MODE VEILLE

Le mode veille peut être activé en mode froid

→ En mode froid :

Au bout d'une heure, la température préréglée est augmentée de 1 °C, puis après une autre heure, la température est à nouveau augmentée de 1 °C.

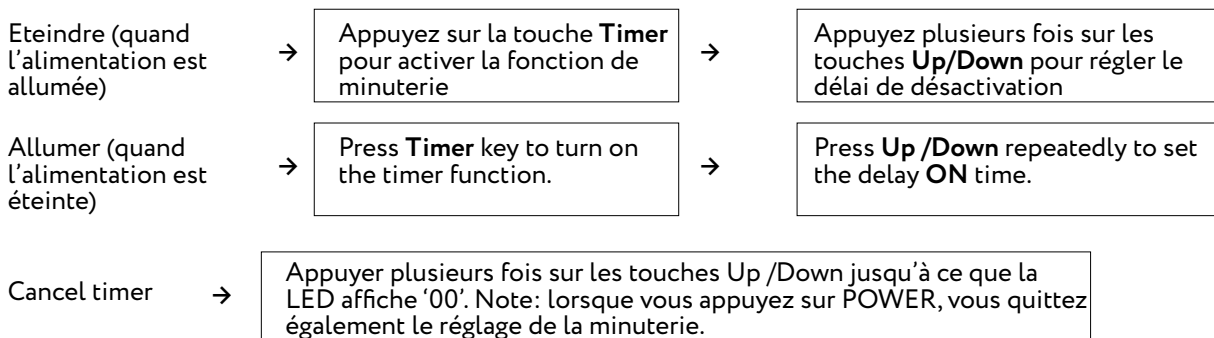
→ En mode chauffage (Optionnel pour l'unité de fonction chauffage uniquement):

Au bout d'une heure, la température préréglée est diminuée de 1 °C, puis, au bout d'une autre heure, la température préréglée est à nouveau diminuée de 1 °C.

La température est ensuite maintenue constante pendant 10 heures. Tous les indicateurs s'éteignent. La vitesse du ventilateur peut passer à une vitesse faible pour un fonctionnement silencieux et ne peut pas être sélectionnée.

### 5.3.3 REGLAGE DE LA MINUTERIE (1h-24h):

La minuterie a deux modes de fonctionnement:



### 5.3.4 DÉGIVRAGE AUTOMATIQUE

Lorsque la température ambiante est basse, du givre peut se former sur l'évaporateur pendant le fonctionnement. L'appareil commencera automatiquement à dégivrer et le voyant POWER clignotera. La séquence de contrôle du dégivrage est la suivante:

A. Lorsque l'appareil fonctionne en mode refroidissement, déshumidification, le capteur de température ambiante détecte que la température du serpentin de l'évaporateur est inférieure à -1°C, après que le compresseur s'arrête de fonctionner pendant 10 minutes ou que la température du serpentin remonte à 7 °C, l'unité redémarre en mode de fonctionnement froid.

B. Lorsque l'appareil fonctionne en mode déshumidification, une fois que le capteur de température du serpentin détecte que la température de l'évaporateur est inférieure à 40 °C et que la température différentielle entre la température de la bobine et la température ambiante est inférieure à 19 °C après le fonctionnement du compresseur pendant 20 minutes, l'unité commence à dégivrer pendant 5 minutes et l'indicateur d'alimentation clignote.

### 5.3.5 OVERLOAD PROTECTION

En cas de coupure de courant, pour protéger le compresseur, il y a un délai de 3 minutes avant le redémarrage du compresseur.

## 5.4 VIDANGE DE L'EAU

### Evacuation manuelle:

1. Quand l'eau atteint le niveau maximal du bac, l'appareil s'arrête, vous devez alors débrancher la prise d'alimentation.

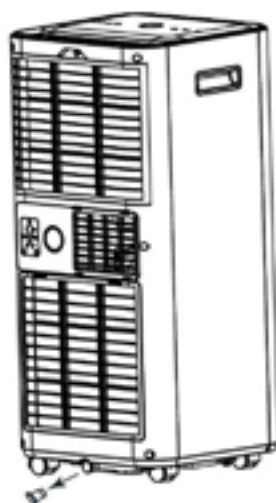
Remarques : Déplacer l'appareil avec précaution afin de ne pas renverser l'eau contenue dans le bac à eau situé au bas de l'appareil

2. Placez le récipient d'eau sous la sortie d'eau latérale, derrière l'appareil.
3. Débrancher la prise d'eau, l'eau s'écoulera automatiquement dans le bac à eau.

Notes:

1. Maintenir le bouchon d'eau en place.
2. Pendant la vidange, l'appareil peut être légèrement incliné vers l'arrière.
3. Si le réservoir d'eau ne peut contenir toute l'eau, avant qu'il ne soit plein, bouchez la sortie d'eau avec le bouchon dès que possible pour éviter que l'eau ne s'écoule sur le sol.
4. Lorsque l'eau est évacuée, refermez le bouchon.

Notes: 1. Redémarrez la machine après avoir refermé le bouchon et le couvercle de vidange, sinon l'eau de condensation de la machine s'écoulera sur le so.



### VIDANGE CONTINUE

Le système d'auto-évaporation utilise l'eau collectée pour refroidir les serpentins du condenseur, ce qui permet d'obtenir de meilleures performances. Il n'est pas nécessaire de vider le réservoir en mode refroidissement, sauf en mode déshumidification et dans des conditions d'humidité élevée. L'eau de condensation s'évapore au niveau du condenseur et est évacuée par le tuyau de vidange.

Pour un fonctionnement continu ou sans surveillance en mode déshumidification, veuillez raccorder le tuyau d'évacuation joint à l'appareil. L'eau de condensation peut s'écouler automatiquement dans un seau ou s'évacuer par gravité

- Eteignez l'appareil avant de procéder
- Retirez le bouchon d'évacuation de l'eau et conservez-le dans un endroit sûr.
- Raccordez le tuyau de vidange et assurez-vous qu'il n'est pas plié et qu'il n'est pas obstrué.
- Placez la sortie du tuyau au-dessus d'un récipient et assurez-vous que l'eau peut s'écouler librement de l'appareil.
- Ne pas immerger l'extrémité du tuyau dans l'eau, sous peine de provoquer un blocage d'air dans le tuyau.



#### **POUR ÉVITER LES FUITES D'EAU:**

- La pression négative du bac d'évacuation des condensats étant importante, inclinez le tuyau d'évacuation vers le bas, en direction du sol. Le degré d'inclinaison doit être supérieur à 20 degrés.
- Redressez le tuyau pour éviter la formation d'un blocage dans le tuyau.

## 6. NETTOYAGE ET ENTRETIEN

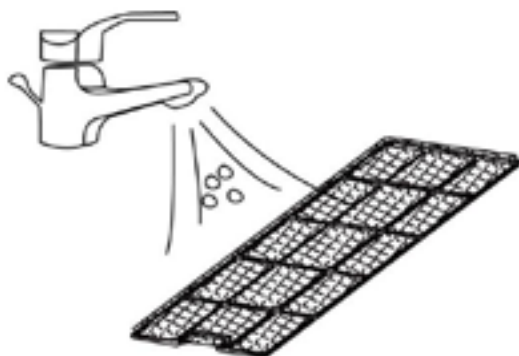
### 6.1. NETTOYAGE DU FILTRE À AIR (toutes les deux semaines)

La poussière s'accumule sur le filtre et restreint le flux d'air. La limitation du flux d'air réduit l'efficacité du système et, s'il se bloque, il peut endommager l'appareil.

Le filtre à air doit être nettoyé régulièrement. Le filtre à air est amovible pour faciliter le nettoyage. Ne faites pas fonctionner l'appareil sans filtre à air, car l'évaporateur pourrait être contaminé. Appuyez sur la touche POWER pour éteindre l'appareil et débranchez le cordon d'alimentation.

1. Retirez le filtre de l'appareil.
2. Utilisez un aspirateur pour aspirer la poussière du filtre.
3. Retournez le filtre et rincez-le à l'eau courante. Laissez l'eau s'écouler à travers le filtre dans le sens inverse du flux d'air. Mettez le filtre de côté et laissez-le sécher complètement à l'air libre avant de le réinstaller

Éteignez l'appareil et retirez les filtres à air.  
Rincez le filtre à air à l'eau courante.



#### **ATTENTION!!!**

Ne pas toucher la surface de l'évaporateur à mains nues, sous peine de se blesser les doigts.

### 6.2. NETTOYAGE DU PRODUIT REFRIGERANT

#### **MESURES GÉNÉRALES :**

1. Gaz/vapeur plus lourd que l'air. Peut s'accumuler dans les espaces confinés, en particulier au niveau du sol ou en dessous.
2. Éliminer toute source d'inflammation possible.
3. Utiliser un équipement de protection individuelle (EPI) approprié.
4. Évacuer le personnel non nécessaire, isoler et ventiler la zone.
5. Ne pas mettre en contact avec les yeux, la peau ou les vêtements. Ne pas respirer les vapeurs ou les gaz.
6. Empêcher toute pénétration dans les égouts et les eaux publiques.
7. Arrêter la source de l'émission, si cela ne présente aucun danger. Envisager l'utilisation d'eau pulvérisée pour disperser les vapeurs.
8. Isoler la zone jusqu'à ce que le gaz se soit dispersé. Ventiler et tester les gaz avant d'entrer dans la zone. Contacter les autorités compétentes en cas de déversement.

SYMPTÔME		INSPECTION	SOLUTION
L'appareil ne fonctionne pas.		✓ Vérifiez que la connexion électrique est bien branchée.	→ Insérez fermement le cordon d'alimentation dans la prise murale.
		✓ Vérifiez si l'indicateur de niveau d'eau s'allume?	→ Videz le bac de vidange en retirant le bouchon en caoutchouc.
		✓ Vérifiez la température ambiante.	→ La plage de température de fonctionnement est de 5-35°C.
L'appareil fonctionne avec une capacité réduite.		✓ Vérifiez que le filtre à air n'est pas encrassé.	→ Nettoyez le filtre à air si nécessaire.
		✓ Vérifiez si le conduit d'air est obstrué.	→ Pour dégager l'obstacle.
		✓ Vérifiez si la porte ou la fenêtre de la pièce est ouverte.	→ Gardez la porte et les fenêtres fermées.
		✓ Vérifiez que le mode de fonctionnement souhaité est sélectionné et que la température est correctement réglée.	→ Réglez le mode et la température au point de consigne approprié selon le manuel.
		✓ Le tuyau d'évacuation est détaché.	→ Assurez-vous que le tuyau d'évacuation est bien fixé.
Fuite d'eau.		✓ Débordement lors du déplacement de l'appareil.	→ Videz le réservoir d'eau avant le transport.
		✓ Vérifiez que le tuyau de vidange n'est pas plié ou courbé.	→ Redressez le tuyau pour éviter la formation d'un piège.
Bruit excessif.		✓ Vérifiez que l'appareil est bien positionné.	→ Placez l'appareil sur un sol horizontal et ferme.
		✓ Vérifiez qu'il n'y a pas de pièces desserrées ou vibrantes.	→ Fixer et serrer les pièces.
		✓ Le bruit ressemble à un écoulement d'eau.	→ Le bruit provient de l'écoulement du réfrigérant. C'est normal.
Codes erreurs	E0	✓ Défauts de communication entre le PCB principal et le PCB d'affichage.	→ Vérifiez que le faisceau de câbles du PCB de l'écran n'est pas endommagé.
	E1	✓ Défaillance du capteur de température ambiante	→ Vérifiez la connexion ou remplacez-la. Pour nettoyer ou remplacer le capteur de température.
	E2	✓ Défauts du capteur de température de la bobine	→ Vérifier la connexion ou la remplacer. Nettoyer ou remplacer le capteur de température.
	Ft	✓ Alarme de niveau élevé de l'eau de condensation.	→ Vider le bac de vidange en retirant le bouchon en caoutchouc.

## 8. MISE HORS SERVICE

### 8.1. STOCKAGE

Stockage à long terme - Si vous n'utilisez pas l'appareil pendant une période prolongée (plus de quelques semaines), il est préférable de le nettoyer et de le sécher complètement. Veuillez stocker l'appareil en suivant les étapes suivantes:

1. Débranchez l'appareil et retirez le tuyau d'échappement et le kit de fenêtre rangés avec l'appareil.
2. Vider l'eau restante de l'appareil.
3. Nettoyez le filtre et laissez-le sécher complètement dans un endroit ombragé.
4. Réinstallez le filtre à son emplacement.
5. L'appareil doit être maintenu en position verticale lorsqu'il est stocké.
6. Conserver l'appareil dans un endroit ventilé, sec, non corrosif pour les gaz et sûr à l'intérieur.

#### ATTENTION:

L'évaporateur à l'intérieur de l'appareil doit être séché avant l'emballage de l'appareil afin d'éviter que les composants ne soient endommagés et que des moisissures ne se forment. Débranchez l'appareil et placez-le dans un endroit sec et ouvert pendant plusieurs jours pour le sécher. Une autre façon de sécher l'appareil consiste à le mettre en marche, à le régler sur le mode de ventilation par faible vent et à maintenir cet état jusqu'à ce que le tuyau de vidange soit sec, afin de maintenir l'intérieur de l'appareil dans un état sec et d'éviter qu'il ne moisisse..

### 8.2. ELIMINATION



**WARNING**

Il est strictement interdit de rejeter le fluide réfrigérant dans l'atmosphère!



Ne pas jeter les appareils électriques avec les déchets municipaux non triés, mais utiliser des installations de collecte séparée. Contactez votre administration locale pour obtenir des informations sur les systèmes de collecte disponibles. Si les appareils électriques sont jetés dans des décharges ou des dépotoirs, des substances dangereuses peuvent s'infiltrer dans la nappe phréatique et dans la chaîne alimentaire, nuisant ainsi à votre santé et à votre bien-être.

## GARANTIE

Le fabricant garantit la conformité du produit avec la description de la conception, en supposant que les instructions de montage et d'utilisation soient respectées.

### **Période de garantie - 2 ans à compter de la date d'achat.**

Si un défaut survient pendant la période de garantie et qu'il est dû à une fabrication défectueuse, le client a droit à une exécution ultérieure. Les dommages dus à une mauvaise manipulation, à la faute d'autrui, à une installation incorrecte (non-respect des instructions) ou leurs dommages consécutifs sont exclus de la garantie. Veuillez conserver votre preuve d'achat. Les services de garantie ne seront fournis que sur présentation de la preuve d'achat.

## CONFORMITÉ

Le produit est conforme à la Directive 2014/35/EU La déclaration de conformité peut être consultée sur le lien suivant : [https://warm-on.fr/media/pdf/31/24/82/50305330\\_019\\_AN\\_50566167\\_0001cert\\_extsigned.pdf](https://warm-on.fr/media/pdf/31/24/82/50305330_019_AN_50566167_0001cert_extsigned.pdf)

### **Instructions d'élimination conformément à la DIRECTIVE 2002/96/CE**

Les anciens appareils ne doivent pas être jetés avec les ordures ménagères ! Si le climatiseur n'est plus utilisé, chaque consommateur est tenu par la loi d'éliminer les anciens appareils séparément des déchets ménagers, par exemple dans un point de collecte situé dans sa commune ou son quartier. Cela permet de recycler correctement les appareils usagés et d'éviter les effets négatifs sur l'environnement. C'est pourquoi les appareils électriques sont marqués de ce symbole.



**Éliminez l'emballage en fonction de son type. Mettez le carton dans le bac dédié aux papiers et emballages, et les feuilles d'aluminium dans le bac des recyclables.**

**IMPORTER: Warm-On / GammaSwiss SA,**

Rue Galilée 6, 1400 Yverdon-les-Bains, Suisse . +33 0800 922 980 (Service clientèle)  
Toutes les informations sont correctes et fiables au mieux de nos connaissances.

Les modifications, les erreurs et les fautes d'impression ne justifient aucune demande de dédommagement.

La responsabilité est exclusivement soumise à nos conditions générales.  
Nous nous réservons le droit de procéder à des modifications techniques sans préavis.

[www.gammaswiss.com](http://www.gammaswiss.com) / [www.warm-on.fr](http://www.warm-on.fr)

**FABRICANT: Zhejiang Oulun Electronic Co. Ltd., No.17, Tangmei Road, Economic Development Zone, Linping District, Hangzhou, P.R. China**





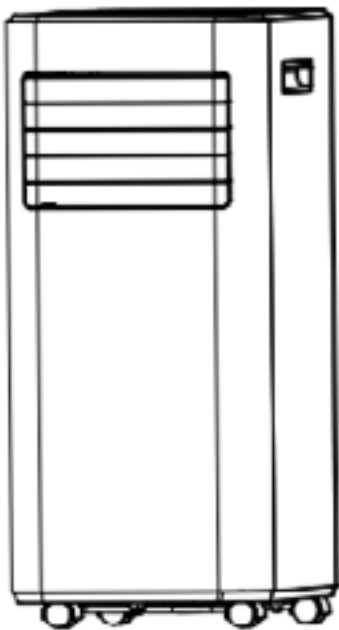
WARM-ON

DE

# Mobile Klimaanlage

Portable air conditioner AC20N weiß  
Portable air conditioner AC26N weiß

## Benutzerhandbuch Original-Anleitung



Kühlen und Heizen  
(Mit Kühlmittel R290)

CE  
0305



## **INHALT:**

1. BEVOR SIE BEGINNEN
2. ZU IHRER SICHERHEIT
3. ÜBERBLICK ÜBER DAS PRODUKT
4. INSTALLATION
5. BETRIEB
6. REINIGUNG UND PFLEGE
7. FEHLERSUCHE
8. STILLEGUNG

## 1.1 PRODUKTBESCHREIBUNG

Unsere leistungsstarken tragbaren Klimageräte sind hervorragende Kühllösungen für einzelne Räume und schaffen eine angenehme Atmosphäre in Ihrem Raum. Sie verfügen außerdem über eine Belüftungs- und Entfeuchtungsfunktion für die Luftzirkulation und den Abtransport von Feuchtigkeit. Es handelt sich um eigenständige Systeme, die keine feste Installation erfordern, so dass Sie sie an den Ort bringen können, an dem sie am meisten benötigt werden. Sie werden häufig in Küchen, vorübergehend bewohnten Räumen, Computerräumen, Garagen und an vielen anderen Orten eingesetzt, an denen die Installation von Klimaanlage-Außengeräten nur begrenzt möglich ist.

Als Kältemittel wird das umweltfreundliche R290 verwendet. R290 hat keinen schädlichen Einfluss auf die Ozonschicht (ODP), einen vernachlässigbaren Treibhauseffekt (GWP) und ist weltweit erhältlich. Aufgrund seiner effizienten energetischen Eigenschaften ist R290 als Kältemittel für diese Anwendung sehr gut geeignet. Aufgrund der hohen Entflammbarkeit des Kühlmittels sind besondere Vorsichtsmaßnahmen zu beachten

## 1.2 SYMBOLE AUS DEM GERÄT UND DEM BENUTZERHANDBUCH



Dieses Gerät verwendet ein leicht entflammbares Kältemittel.

Wenn Kältemittel austritt und mit Feuer oder mit Wärme in Kontakt kommt, entstehen schädliche Gase und es besteht Brandgefahr.



Lesen Sie das BENUTZERHANDBUCH vor dem Betrieb sorgfältig durch.



Weitere Informationen finden Sie in der BEDIENUNGSANLEITUNG, dem SERVICEHANDBUCH und ähnlichen Dokumenten.



Das Servicepersonal muss das BENUTZERHANDBUCH und das SERVICEHANDBUCH vor dem Betrieb sorgfältig lesen.

## AUS SICHERHEITSGRÜNDEN SOLLTEN SIE IMMER FOLGENDE PUNKTE BEACHTEN

- Dieses Gerät ist für die Verwendung durch fachkundige oder geschulte Benutzer in Geschäften, in der Leichtindustrie und in landwirtschaftlichen Betrieben oder für die gewerbliche Verwendung durch Nichtfachleute bestimmt.
- Dieses Gerät kann von Kindern ab 8 Jahren und darüber sowie von Personen mit verringerten physischen, sensorischen oder mentalen Fähigkeiten oder Mangel an Erfahrung und Wissen benutzt werden, wenn sie beaufsichtigt oder bezüglich des sicheren Gebrauchs des Geräts unterwiesen wurden und die daraus resultierenden Gefahren verstehen. Kinder dürfen keinen Zugang zum Gerät haben. Reinigungs- und Wartungsarbeiten dürfen nicht von Kindern ohne Aufsicht durchgeführt werden.
- Das Gerät ist nur für die Verwendung von R-290 (Propangas) als Kältemittel vorgesehen.
- Der Kältemittelkreislauf ist versiegelt. Nur ein qualifizierter Techniker sollte versuchen, das Gerät zu warten!
- Lassen Sie das Kältemittel nicht in die Atmosphäre ab.
- R-290 (Propan) ist brennbar und schwerer als Luft.
- Es sammelt sich zuerst in niedrigen Bereichen, kann aber durch die Ventilatoren umgewälzt werden.
- Wenn Propangas vorhanden ist oder auch nur vermutet wird, lassen Sie kein ungeschultes Personal versuchen, die Ursache zu finden.
- Das im Gerät verwendete Propangas ist geruchsneutral.
- Das Fehlen von Geruch bedeutet nicht, dass kein Gas ausgetreten ist.
- Wenn ein Leck entdeckt wird, evakuieren Sie sofort alle Personen aus dem Lager, lüften Sie den Raum und verständigen Sie die örtliche Feuerwehr, um ihr mitzuteilen, dass ein Propangasleck aufgetreten ist.
- Lassen Sie keine Personen zurück in den Raum, bis der qualifizierte Servicetechniker eingetroffen ist und dieser mitteilt, dass es sicher ist, in den Raum zurückzukehren.
- Im Inneren oder in der Nähe der Geräte dürfen keine offenen Flammen, Zigaretten oder andere mögliche Zündquellen verwendet werden.
- Die Bauteile sind für Propan ausgelegt und nicht anregend und funkenfrei. Einzelteile dürfen nur durch identische Reparaturteile ersetzt werden.

**DIE NICHTBEACHTUNG DIESES WARNHINWEISES KANN ZU EINER EXPLOSION, ZUM TOD, ZU VERLETZUNGEN UND ZU SACHSCHÄDEN FÜHREN.**

### IHRE SICHERHEIT IST UNSER GRÖSSTES ANLIEGEN!



Bitte lesen Sie die Gebrauchsanleitung vor Inbetriebnahme sorgfältig und verstehen diese vollständig.

#### 2.1 VORSICHTSMASSNAHMEN FÜR DEN BETRIEB

#### **WARNUNG- UM DAS RISIKO EINES BRANDES, EINES ELEKTRISCHEN SCHLAGES ODER EINER VERLETZUNG VON PERSONEN ODER SACHEN ZU VERRINGERN, BEACHTEN SIE FOLGENDE HINWEISE:**

- Wenn das Netzkabel beschädigt ist, muss es vom Hersteller, seinem Kundendienst oder ähnlich qualifizierten Personen ausgetauscht werden, um eine Gefährdung zu vermeiden.
- Das Gerät muss während der Wartung von der Stromquelle getrennt werden.
- Betreiben Sie das Gerät immer an einer Stromquelle mit gleicher Spannung, Frequenz und Leistung wie auf dem Typenschild angegeben.
- Verwenden Sie immer eine geerdete Netzsteckdose.
- Ziehen Sie den Netzstecker, wenn Sie das Gerät reinigen oder wenn es nicht benutzt wird.
- Bedienen Sie das Gerät nicht mit nassen Händen. Vermeiden Sie, dass Wasser auf das Gerät spritzt.
- Schützen Sie das Gerät vor Regen, Feuchtigkeit oder anderen Flüssigkeiten und setzen Sie es nicht diesen aus.
- Lassen Sie das Gerät nicht unbeaufsichtigt laufen. Kippen oder drehen Sie das Gerät nicht um.
- Ziehen Sie nicht den Netzstecker, während das Gerät in Betrieb ist.
- Ziehen Sie nicht am Netzkabel, um den Netzstecker zu ziehen.
- Verwenden Sie kein Verlängerungskabel oder einen Zwischenstecker.
- Stellen Sie keine Gegenstände auf das Gerät.
- Klettern oder setzen Sie sich nicht auf das Gerät.
- Stecken Sie keine Finger oder andere Gegenstände in den Luftauslass.

- Berühren Sie nicht den Lufteinlass oder die Aluminiumrippen des Geräts.
- Nehmen Sie das Gerät nicht in Betrieb, wenn es heruntergefallen oder beschädigt ist oder Anzeichen einer Fehlfunktion aufweist.
- Reinigen Sie das Gerät nicht mit Chemikalien.
- Achten Sie darauf, dass das Gerät weit entfernt von Feuer, brennbaren oder explosiven Gegenständen steht.
- Das Gerät muss in Übereinstimmung mit den nationalen Verdrahtungsvorschriften installiert werden.
- Verwenden Sie keine anderen als die vom Hersteller empfohlenen Mittel zur Beschleunigung des Abtauvorgangs oder zur Reinigung.
- Das Gerät muss in einem Raum ohne ständig sich in Betrieb befindliche Quellen gelagert werden (zum Beispiel: ohne offene Flammen, ohne ein in Betrieb befindliches Gasgerät oder ohne eine in Betrieb befindliche Elektroheizung).
- Das Gerät muss so gelagert werden, dass mechanische Beschädigungen vermieden werden.
- Auch nach dem Gebrauch nicht zerteilen oder verbrennen.
- Beachten Sie, dass Kältemittel keinen Geruch aufweisen dürfen.
- Die Rohrleitungen müssen vor physischer Beschädigung geschützt werden und dürfen nicht in einem unbelüfteten Raum installiert werden, wenn dieser Raum kleiner als 9 m<sup>2</sup> ist.
- Die nationalen Gasvorschriften sind zu beachten.
- Erforderliche Lüftungsöffnungen sind freizuhalten.
- Das Gerät muss in einem gut belüfteten Bereich gelagert werden, dessen Raumgröße der für den Betrieb angegebenen Raumfläche entspricht.



**WARNING**

Jede Person, die mit Arbeiten an oder Eingriffen in einen Kältemittelkreislauf befasst ist, muss im Besitz eines gültigen Zertifikats einer von der Industrie anerkannten Bewertungsstelle sein, das ihre Kompetenz zum sicheren Umgang mit Kältemitteln gemäß einer von der Industrie anerkannten Bewertungsspezifikation bestätigt.



**WARNING**

Wartungsarbeiten dürfen nur gemäß den Empfehlungen des Geräteherstellers durchgeführt werden. Wartungs- und Reparaturarbeiten, die die Hilfe anderer Fachkräfte erfordern, dürfen nur unter der Aufsicht einer für den Umgang mit brennbaren Kältemitteln kompetenten Person durchgeführt werden.

Wenn Sie etwas nicht verstehen oder Hilfe benötigen, wenden Sie sich bitte an den Händlerservice

## 2.2 SICHERHEITSVORKEHRUNGEN BEI DER WARTUNG

Bitte beachten Sie diese Warnhinweise, wenn Sie bei der Wartung eines mit R290 betriebenen Gerätes folgende Arbeiten durchführen

### 2.2.1 Überprüfungen des Arbeitsbereiches

Vor Beginn von Arbeiten an Anlagen, die entflammbare Kältemittel enthalten, sind Sicherheitsüberprüfungen erforderlich, um sicherzustellen, dass das Brandrisiko minimiert wird. Bei Reparaturen an der Kälteanlage sind vor der Durchführung der Arbeiten an der Anlage die folgenden Vorsichtsmaßnahmen zu beachten.

### 2.2.2 Arbeitsverfahren

Die Arbeiten sind nach einem kontrollierten Verfahren durchzuführen, um das Risiko des Vorhandenseins von brennbaren Gasen oder Dämpfen während der Arbeiten zu eliminieren.

### 2.2.3 Allgemeiner Arbeitsbereich

Das gesamte Wartungspersonal und andere Personen, die in der Nähe arbeiten, sind über die Art der durchzuführenden Arbeiten zu unterrichten. Arbeiten in beengten Räumen sind zu vermeiden. Der Bereich um den Arbeitsbereich ist abzusperren. Der Arbeitsbereich muss sicher und frei von brennbaren Materialien oder Gasen sein.

### 2.2.4 Prüfen auf Vorhandensein von Kältemittel

Der Bereich muss vor und während der Arbeiten mit einem geeigneten Kältemittel-Detektor überprüft werden, um sicherzustellen, dass der Techniker auf potenziell entflammbare Atmosphären aufmerksam gemacht wird. Vergewissern Sie sich, dass das verwendete Lecksuchgerät für den Einsatz mit brennbaren Kältemitteln geeignet ist, d. h. keine Funkenbildung aufweist, ausreichend abgedichtet oder eigensicher ist.

### 2.2.5 Vorhandensein eines Feuerlöschers

Bei Arbeiten an der Anlage mit Brandgefährdungspotential müssen geeignete Feuerlöschgeräte zur Verfügung stehen. Ein Trockenpulver- oder CO<sub>2</sub>-Feuerlöscher ist in der Nähe des Beschickungsbereichs bereitzuhalten.

### 2.2.6 Keine Zündquellen

Personen, die Arbeiten an einer Kälteanlage durchführen, bei denen Rohrleitungen freigelegt werden, die brennbares Kältemittel enthalten oder enthalten haben, dürfen keine Zündquellen in einer Weise verwenden, die zu einer Brand- oder Explosionsgefahr führen kann. Alle möglichen Zündquellen, einschließlich Zigarettenrauch, sind in ausreichendem Abstand vom Ort der Installation, der Reparatur, des Ausbaus und der Entsorgung zu halten, während derer brennbares Kältemittel möglicherweise in den umgebenden Raum freigesetzt werden kann. Vor Beginn der Arbeiten ist die Umgebung des Geräts zu untersuchen, um sicherzustellen, dass keine Brandgefahren oder Zündgefahren vorhanden sind. Es müssen Rauchverbotsschilder angebracht werden.

### 2.2.7 Belüfteter Bereich

Stellen Sie sicher, dass sich der Bereich im Freien befindet oder dass er ausreichend belüftet ist, bevor Sie am Gerät arbeiten oder Arbeiten unter Entwicklung höherer Temperaturen durchführen. Während der Durchführung der Arbeiten muss eine zur sicheren Zerstreung freigesetzten Kältemittels und vorzugsweise zur Ableitung nach außen in die Atmosphäre ausreichende Belüftung aufrechterhalten werden.

### 2.2.8 Prüfungen am Klimagerät

Wenn elektrische Bauteile ausgetauscht werden, müssen die Austauschkomponenten für den Zweck geeignet sein und den geforderten Spezifikationen entsprechen. Die Wartungs- und Instandhaltungsrichtlinien des Herstellers sind stets zu beachten. Im Zweifelsfall ist die technische Abteilung des Herstellers um Hilfe zu bitten.

Bei Anlagen, die entflammbare Kältemittel verwenden, sind die folgenden Kontrollen durchzuführen:

- Die Füllmenge ist auf die Raumgröße abgestimmt, in der die kältemittelhaltigen Klimageräte installiert sind;
- Die Lüftungsanlagen und -auslässe funktionieren ordnungsgemäß und sind nicht verstopft;
- Bei Verwendung eines indirekten Kühlkreislaufs ist der Sekundärkreislauf auf das Vorhandensein von Kältemittel zu überprüfen;
- Markierungen und Hinweise auf der Ausrüstung müssen stets sichtbar und lesbar sein. Unleserliche Markierungen und Schilder sind zu korrigieren.
- Die Kältemittelleitungen oder -bauteile sind an einer Stelle installiert, an der es ausgeschlossen ist, dass sie mit Stoffen in Berührung kommen, die kältemittelhaltige Bauteile angreifen. Es sei denn, die Bauteile sind aus Werkstoffen hergestellt, die von Natur aus korrosionsbeständig sind, oder sie sind in geeigneter Weise gegen eine solche Korrosion geschützt

### 2.2.9 Kontrollen an elektrischen Geräten / Elektrokomponenten

Reparatur- und Wartungsarbeiten an elektrischen Bauteilen müssen erste Sicherheitsüberprüfungen und Inspektionsverfahren für die Bauteile umfassen. Liegt ein Fehler vor, der die Sicherheit beeinträchtigen könnte, darf der Stromkreis erst dann wieder mit Strom versorgt werden, wenn der Fehler zufriedenstellend behoben ist. Wenn der Fehler nicht sofort behoben werden kann, aber der Betrieb fortgesetzt werden muss, muss eine angemessene vorübergehende Lösung verwendet werden. Dies muss dem Eigentümer der Ausrüstung gemeldet werden, damit alle Beteiligten informiert sind.

Zu den ersten Sicherheitsüberprüfungen gehören:

- Entladung der Kondensatoren: Dies muss auf sichere Weise geschehen, um die Möglichkeit von Funkenbildung zu vermeiden;
- dass während des Aufladens, der Wiederherstellung oder der Reinigung des Systems keine stromführenden elektrischen Bauteile und Leitungen freiliegen;
- dass die Erdung durchgehend vorhanden ist

**WARNUNG!**



**WARNING**

Installieren Sie das Gerät in Räumen, die größer als 9 m<sup>2</sup> sind.



**NOTE!**

Installieren Sie das Gerät nicht an einem Ort, an dem brennbare Gase austreten können.

**ANMERKUNG!**

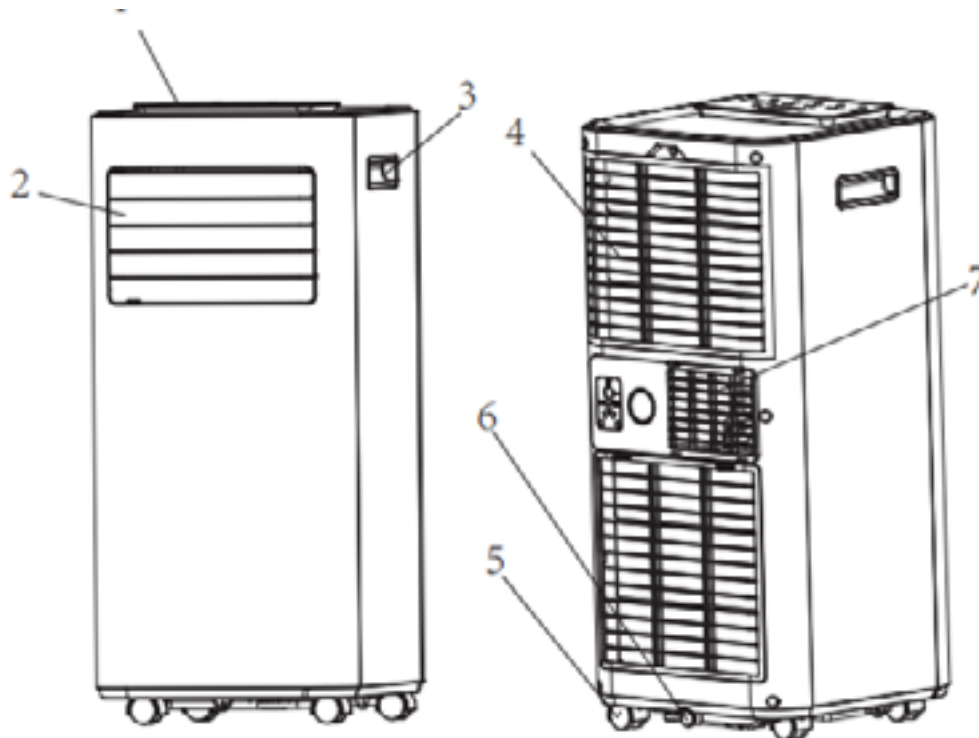
Der Hersteller kann andere geeignete Beispiele oder zusätzliche Informationen über den Kältemittelgeruch zur Verfügung stellen.



## 3. PRODUKTÜBERSICHT

DE

### 3.1 PRODUKTDIAGRAMM



1	Bedienfeld
2	Luftauslass mit einstellbarer Jalousie
3	Griff
4	Lufteinlass mit Luftfilter
5	Lenkrolle
6	Kondensatauslass
7	Luftauslass

Hinweis : Die Darstellung dient nur als Referenz. Bitte sehen Sie sich das echte Produkt für detaillierte Informationen an.

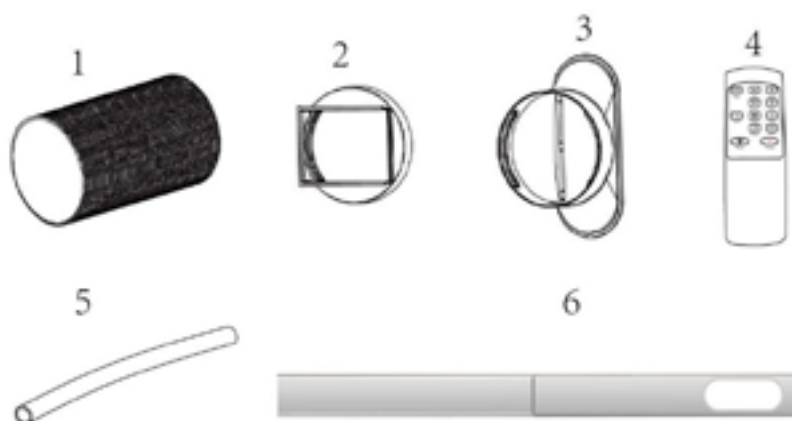
## 3.2 EIGENSCHAFTEN

- Leistungsfähiges Gerät in kompakter Größe mit Ventilator, Kühl- und Entfeuchtungsfunktion.
- Temperatureinstellung und -anzeige
- Digitale LED-Anzeige
- Elektronische Steuerung mit eingebautem Timer, Schlafmodus
- Selbstverdampfendes System für bessere Effizienz
- Automatische Abschaltung bei vollem Tank
- Automatischer Neustart bei Stromausfall
- Automatische Abtaufunktion bei niedrigen Umgebungstemperaturen
- Fernbedienung
- Ventilator mit 2 Geschwindigkeiten
- leichtgängige Räder für maximalen Komfort

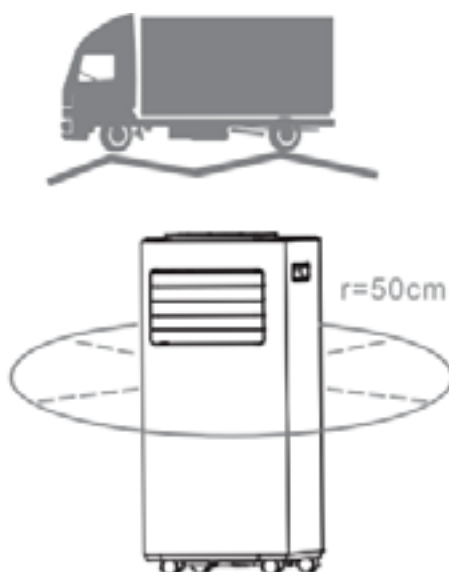
Tragbares Klimagerät	OL-BKYR20-A010N	OL-BKYR26-A010N
Technische Daten		
Stromzufuhr	AC220-240V/50Hz	AC220-240V/50Hz
Kühlkapazität	7000BTU	9000BTU
Wärmeleistung	6300BTU	7000BTU
Eingangsleistung Kühlung / Stromstärke	780W/3.5A	1005W/4.5A
Eingangsleistung Heizung / Stromstärke	685W/3.0A	835W/3.8A
Luftzirkulation	290m <sup>3</sup> /h	290m <sup>3</sup> /h
Kühlmittel	R290	R290
Geräuschpegel	≤65dB	≤65dB
Timer	0-24hr	0-24hr
Außenabmessungen	W300*D300*H700mm	W300*D300*H700mm
Nettogewicht	20kg	21kg

### 4.1 AUSPACKEN

- Packen Sie den Karton aus und nehmen Sie das Gerät und das Zubehör heraus.
- Überprüfen Sie das Gerät nach dem Auspacken auf eventuelle Schäden oder Kratzer.
- Zubehör:
  1. TAbluftschlauch
  2. Schlauchanschluss
  3. Fenster-Kit-Adapter
  4. Fernbedienung
  5. Abflussschlauch
  6. Fenster-Kit



## 4.2 WÄHLEN SIE DEN MONTAGEORT



- Wenn das Gerät um mehr als 45° gekippt wurde, lassen Sie es mindestens 24 Stunden lang aufrecht stehen, bevor Sie es in Betrieb nehmen.
- Stellen Sie das Gerät auf eine feste, ebene Fläche mit einem Freiraum von mindestens 50 cm um das Gerät herum, um eine gute Luftzirkulation zu gewährleisten.
- Stellen Sie das Gerät nicht in der Nähe von Wänden, Vorhängen oder anderen Gegenständen auf, die den Luftein- und -auslass blockieren könnten. Halten Sie den Lufteinlass und -auslass frei von Hindernissen.
- Stellen Sie das Gerät niemals an einem Ort auf, an dem es Hitze ausgesetzt sein könnte.

### **Vermeiden Sie Wärmequellen wie Heizkörper, Heizregister, Öfen oder andere wärmeerzeugende Produkte:**

Vermeiden Sie direkte Sonneneinstrahlung

Vermeiden Sie mechanische Vibrationen oder Stöße

Vermeiden Sie übermäßigen Staub

Vermeiden Sie mangelnde Belüftung, z. B. in einem Schrank oder Bücherregal

Vermeiden Sie unebenen Untergrund



**WARNING**

### **WARNUNG!**

Installieren Sie das Gerät in Räumen, die größer als 9 m<sup>2</sup> sind.

Stellen Sie das Gerät nicht an einem Ort auf, an dem brennbare Gase austreten können



### **HINWEIS!**

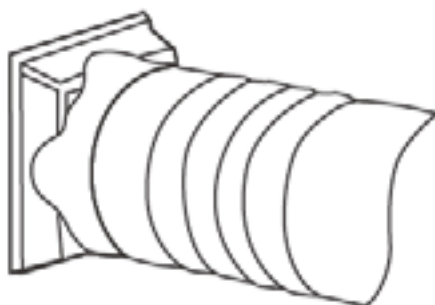
Der Hersteller kann ein anderes geeignetes Beispiel nennen oder zusätzliche Informationen über den Kältemittelgeruch geben.

## 4.3 ANBRINGEN DES ABLUFTSCHLAUCHES

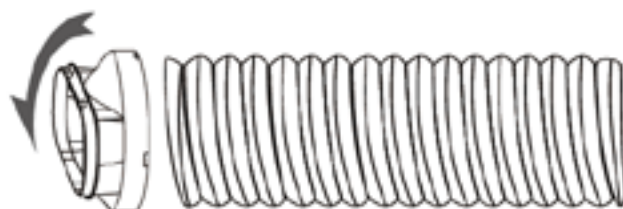
Das Klimagerät muss nach außen entlüftet werden, damit die Abluft, die aus dem Gerät kommt und Abwärme und Feuchtigkeit enthält, den Raum verlassen kann.

Tauschen Sie den Abluftschlauch nicht aus und verlängern Sie ihn nicht, da dies zu einem geringeren Wirkungsgrad oder sogar zur Abschaltung des Geräts aufgrund eines zu geringen Gegendrucks führt.

**Schritt 1:** Schließen Sie den Schlauchanschluss an ein Ende des Abluftschlauchs an.



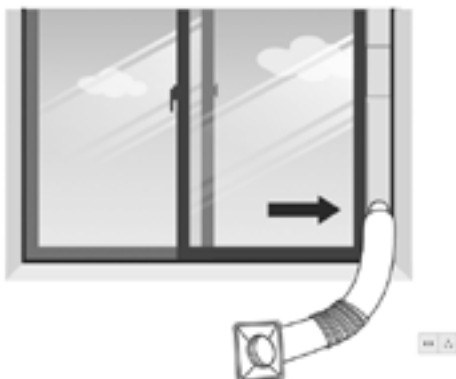
**Schritt 2:** Schließen Sie den Adapter des Fenster-Montagekits an das andere Ende des Abluftschlauchs an.



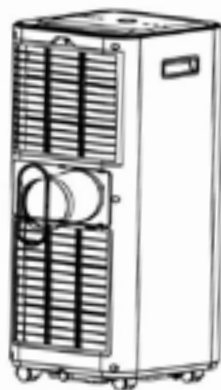
**Schritt 3:** Passen Sie den verstellbaren Fenster-Einbausatz an Ihr Fenster an. Verbinden Sie den Abluftschlauch mit dem Fensterset



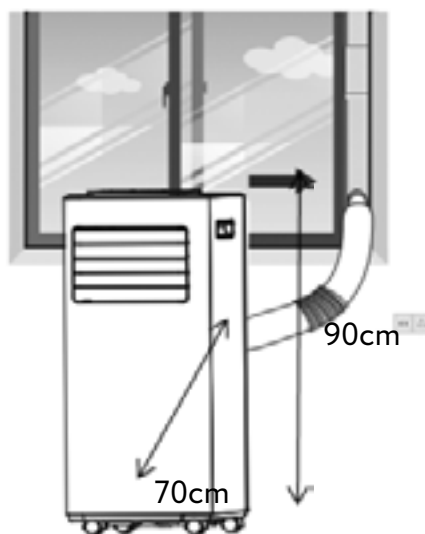
**Schritt 4:** Schließen Sie Ihr Fenster, um den Einbau-Satz zu installieren. Der Einbausatz muss stabil und gemäss Anleitung an seinem Platz fixiert sein. Fixieren Sie ihn bei Bedarf mit Klebeband. Es wird empfohlen, den Spalt zwischen dem Adapter und den Seiten des Fensters abzudichten, um eine maximale Effizienz zu erzielen.



**Schritt 5:** Schließen Sie den Schlauchanschluss an den Abluftausgang des Geräts an.



**Schritt 6:** Stellen Sie die Länge des flexiblen Abluftschlauchs so ein, dass der Abstand zwischen dem Gerät und dem Fenster mehr als 70 cm und die Höhe vom Abluftschlauch bis zum Boden mehr als 90 cm beträgt. Und vermeiden Sie Knicke im Schlauch. Stellen Sie das Gerät dann in der Nähe einer Steckdose auf.



62 **Schritt 7:** Stellen Sie die Lüftungsschlitze am Luftauslass ein, und schalten Sie das Gerät ein.

## 5. OPERATION

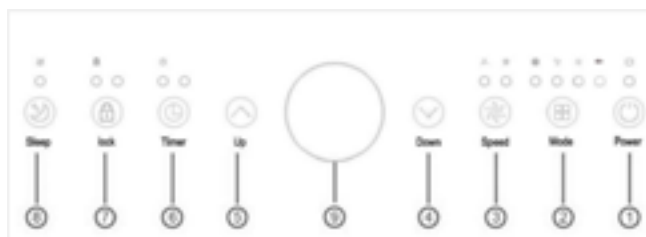
DE

### 5.1 BEDIENFELD UND DISPLAY

The air conditioner requires being vented outside so that the exhaust air can escape the room which coming from the appliance contains waste heat and moisture.

Do not replace or extend exhaust hose which will result in decreased efficiency, even worse shut down the unit due to low backpressure.

**Step 1:** Connect the hose connector to one end of the exhaust hose.



1	POWER	Drücken Sie, um das Gerät ein- und auszuschalten.
2	MODE	Drücken Sie, um den Betriebsmodus zwischen Ventilator, Kühlung, Heizung und Luftentfeuchter zu wechseln.
3	SPEED	Drücken Sie, um die Ventilator Drehzahl zwischen HIGH und LOW einzustellen.
4	DOWN	Verringern der gewünschten Temperatur oder Timer-Einstellung.
5	UP	Erhöhen der gewünschten Temperatur oder Timer-Einstellung
6	TIMER	Geben Sie eine Zeit für automatische Ein- und Ausschaltung vor.
7	SLEEP	Drücken Sie, um den Schlafmodus zu aktivieren oder zu deaktivieren.
8	LOCK	Drücken Sie lange, um die Kindersicherung zu aktivieren oder zu deaktivieren.
9	LED Display	Zeigt die Timer-Einstellungen und Raumtemperatur.

## 5.2 FERNBEDIENUNG

### 5.3 EINSTELLUNGEN

#### 5.3.1 Einschalten und Ausschalten:

- Drücken Sie POWER, um das Gerät einzuschalten.
- Drücken Sie die MODE-Taste, um den gewünschten Betriebsmodus auszuwählen.
- Drücken Sie erneut POWER, um das Gerät auszuschalten.

#### 5.3.2 Betriebsmodus

Das Gerät verfügt über vier Betriebsmodi: Gebläse, Kühlen, Entfeuchter, Schlafmodus.

#### A. KÜHLEN DES RAUMS

Wählen Sie den Kühlmodus, um die Temperatur in Ihrem Raum zu senken.

- Drücken Sie wiederholt die MODE-Taste, bis die COOL-Anzeige aufleuchtet.
- Drücken Sie die Auf-/Ab-Taste, um die auf dem Bildschirm angezeigte Temperatur einzustellen. Die Temperatur kann zwischen 16 °C und 32 °C eingestellt werden.
- Drücken Sie wiederholt die Taste SPEED, bis die gewünschte Gebläsedrehzahlanzeige aufleuchtet.

Um die Richtung des Luftstroms horizontal zu steuern, verstellen Sie bitte die eingebaute Jalousie von Hand.

Hinweis: Das Klimagerät schaltet sich aus, wenn die Raumtemperatur niedriger als die gewählte Temperatur ist

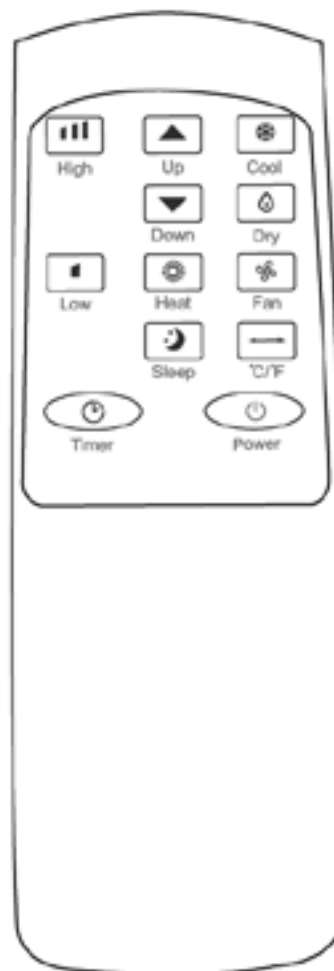
#### B. HEIZEN DES RAUMS (NUR OPTIONAL FÜR DIE HEIZFUNKTION)

- Drücken Sie wiederholt die Taste MODE, bis die Anzeige HEAT aufleuchtet.
- Drücken Sie die Up/Down-Taste, um die Temperatur höher als die Raumtemperatur einzustellen. Die Ventilatorgeschwindigkeit kann ebenfalls eingestellt werden.

Hinweis: Der Abflussschlauch sollte für den Dauerbetrieb an das Gerät angeschlossen sein.

#### C. BELÜFTUNG IHRES RAUMES

- Drücken Sie wiederholt die MODE-Taste, bis die Gebläse-Anzeige aufleuchtet. Im Lüftungsmodus wird die Raumluft umgewälzt, aber nicht gekühlt
- Drücken Sie wiederholt die SPEED-Taste, um die gewünschte Lüftergeschwindigkeit einzustellen.





## D. TROCKNEN IHRES ZIMMERS

→ Drücken Sie die MODE-Taste auf dem Bedienfeld oder der Fernbedienung, die Trockenanzeige leuchtet auf. Die Gebläsegeschwindigkeit kann nicht gewählt werden. Der Benutzer sollte den Schlauch an den Abfluss an der Unterseite des Geräts anschließen.

Hinwei: In diesem Modus schaltet die Gebläsegeschwindigkeit auf niedrige Geschwindigkeit um und kann nicht ausgewählt werden.

## E. SCHLAFMODUS

Der Schlafmodus kann im Kühlmodus aktiviert werden.

→ Im Kühlmodus: Nach 1 Stunde wird die voreingestellte Temperatur um 1 °C, erhöht, nach einer weiteren Stunde wird die voreingestellte Temperatur wieder um 1 °C erhöht.

→ Im Heizmodus (nur bei Geräten mit Heizfunktion):

Nach 1 Stunde wird die voreingestellte Temperatur um 1 °C, verringert, nach einer weiteren Stunde wird die voreingestellte Temperatur wieder um 1 °C verringert.

Dann wird die Temperatur für 10 Stunden konstant gehalten. Und alle Anzeigen dimmen dunkel ab. Die Gebläsedrehzahl kann für einen leisen Betrieb auf eine niedrige Geschwindigkeit umschalten und ist nicht wählbar.

### 5.3.3 Timer-Einstellung (1 – 24 Stunden):

Der Timer bietet 2 unterschiedliche Funktionsweisen:

Um auszuschalten  
(sofern das Gerät  
eingeschaltet

→

Drücken Sie „Timer“, um die  
Timer-Funktion zu aktivieren

→

Drücken Sie „up“ oder „down“ wiederholt,  
um die Abschaltverzögerung vorzuwählen

Um einzuschalten  
(sofern das Gerät  
ausges)

→

Drücken Sie „Timer“, um die  
Timer-Funktion zu aktivieren

→

Drücken Sie „up“ oder „down“ wiederholt,  
um die Einschaltverzögerung vorzuwählen

Timer abbrechen

→

Drücken Sie wiederholt die Tasten Up/Down, bis die LED '00' anzeigt

### 5.3.4 AUTOMATISCHE ABTAUUNG

Bei niedrigen Raumtemperaturen kann sich während des Betriebs Frost am Verdampfer bilden. Das Gerät beginnt automatisch mit der Abtauung und die POWER-LED blinkt. Der Ablauf der Abtaukontrolle ist wie folgt:

A. Wenn das Gerät im Kühl- oder Trocknungsbetrieb arbeitet, stellt der Umgebungstemperatursensor fest, dass die Temperatur der Verdampferschlange unter -1°C, liegt. Nachdem der Kompressor 10 Minuten lang abgeschaltet hat oder die Schlangentemperatur auf 7 °C, gestiegen ist, schaltet das Gerät wieder in den Kühlbetrieb.

B. Wenn das Gerät im Trocknungsbetrieb arbeitet, sobald der Temperatursensor des Verdampfers eine Temperatur von unter 40 °C feststellt und die Differenztemperatur zwischen der Temperatur des Verdampfers und der Raumtemperatur unter 19 °C liegt, nachdem der Kompressor 20 Minuten lang gelaufen ist, beginnt das Gerät 5 Minuten lang abzutauen und die Betriebsanzeige blinkt.

### 5.3.5 ÜBERLASTUNGSSCHUTZ

Im Falle eines Stromausfalls gibt es zum Schutz des Kompressors eine 3-minütige Verzögerung bis zum Wiederanlauf des Kompressors.

## 5.4 ENTLEERUNG

### Manuelle Entleerung:

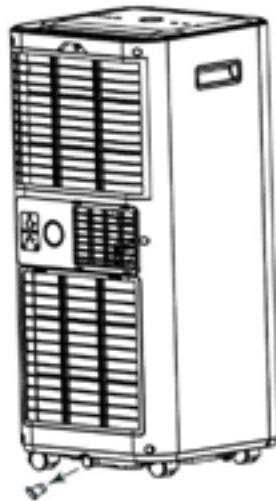
1. Wenn die Maschine anhält, nachdem der Kondensatbehälter voll ist, ziehen Sie bitte den Netzstecker.

Hinweise: Bewegen Sie das Gerät vorsichtig, damit das Wasser in der Kondensatwanne am Boden des Gehäuses nicht verschüttet wird.

2. Platzieren Sie den Kondensatbehälter unterhalb des seitlichen Kondensatauslasses hinter dem Gehäuse.
3. Entfernen Sie den Verschluss vom Kondensatauslass, das Wasser fließt automatisch in den Wasserbehälter

Hinweise:

1. Bewahren Sie den Verschluss gut auf.
2. Beim Entleeren kann das Gehäuse leicht nach hinten gekippt werden.
3. Wenn der Wasserbehälter nicht das gesamte Wasser aufnehmen kann, verschließen Sie den Wasserauslass so schnell wie möglich mit dem Verschlussstopfen, um ein Übelaufen des Wasserbehälters zu verhindern und um vorzubeugen, dass Wasser auf den Boden oder den Teppich fließt.
- 4 Wenn das Wasser abgelassen wurde, verschließen Sie den Auslass wieder.



Hinweise: 1. Starten Sie das Gerät erst wieder neu, nachdem Sie den Wasserstopfen und den Ablaufdeckel installiert haben, da sonst Kondenswasser aus der Maschine auf den Boden oder den Teppich fließt.

### KONTINUIERLICHE ENTWÄSSERUNG

Das selbstverdampfende System verwendet das gesammelte Wasser zur Kühlung der Verflüssigerschlangen, um eine bessere Leistung zu erzielen. Der Kondensatbehälter muss während des Kühlbetriebs nicht geleert werden, außer bei Trockenbetrieb und hoher Luftfeuchtigkeit. Das Kondenswasser verdampft am Verflüssiger und wird über den Abluftschlauch abgeleitet.

Bei Dauerbetrieb oder unbeaufsichtigtem Betrieb im Trocknungsbetrieb schließen Sie bitte den beiliegenden Ablaufschlauch an das Gerät an. Das Kondenswasser kann automatisch in einen Eimer fließen oder durch Schwerkraft ablaufen.

- Schalten Sie das Gerät vor dem Betrieb aus.
- Entfernen Sie den Stopfen der Wasser-  
auslassöffnung und bewahren Sie ihn an einem  
sicheren Ort auf.
- Schließen Sie den Abflussschlauch sicher und  
ordnungsgemäß an und vergewissern Sie sich,  
dass er nicht geknickt und frei von Hindernis-  
sen ist.
- Stellen Sie den Auslass des Schlauchs über  
einen Abfluss oder einen Eimer und stellen  
Sie sicher, dass das Wasser frei aus dem Gerät  
fließen kann.
- Tauchen Sie das Ende des Schlauchs nicht in  
Wasser ein; andernfalls kann es zu "Air Lock" im  
Schlauch kommen.



#### **SO VERMEIDEN SIE DAS AUSTRETEN VON WASSER:**

- Da der Unterdruck in der Kondensatwanne groß ist, neigen Sie den Ablaufschlauch  
nach unten zum Boden. Der Neigungsgrad sollte 20 Grad nicht überschreiten.
- Richten Sie den Schlauch gerade aus, um zu vermeiden, dass sich ein Siphon im  
Schlauch bildet.

## 6. REINIGUNG UND PFLEGE

### 6.1. REINIGUNG DES LUFTFILTERS (ALLE ZWEI WOCHEN)

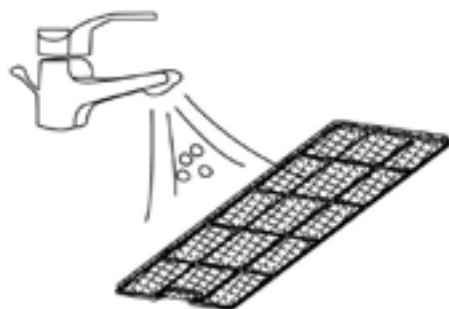
Staub sammelt sich auf dem Filter und behindert den Luftstrom. Der eingeschränkte Luftstrom verringert die Effizienz des Systems, und wenn er verstopft, kann dies zu Schäden am Gerät führen.

Der Luftfilter muss regelmäßig gereinigt werden. Der Luftfilter ist zur einfachen Reinigung herausnehmbar. Betreiben Sie das Gerät nicht ohne Luftfilter, da sonst der Verdampfer verschmutzt werden kann.

1. Drücken Sie die POWER-Taste, um das Gerät auszuschalten, und ziehen Sie den Netzstecker.
2. Entfernen Sie das Filtersieb aus dem Gerät..
3. Verwenden Sie einen Staubsauger, um den Staub aus dem Filter zu saugen
4. Drehen Sie den Filter um und spülen Sie ihn unter fließendem Wasser ab. Lassen Sie das Wasser in entgegengesetzter Richtung zum Luftstrom durch den Filter laufen. Legen Sie den Filter beiseite und lassen Sie ihn an der Luft vollständig trocknen, bevor Sie ihn wieder einbauen.

Schalten Sie das Gerät aus und entfernen Sie die Luftfilter.

Spülen Sie den Luftfilter unter fließendem Wasser aus.



#### **ACHTUNG!!!**

Berühren Sie die Oberfläche des Verdampfers nicht mit bloßen Händen, Sie könnten sich sonst die Finger verletzen.

### 6.2. REINIGUNG DES KÄLTEMITTELS

#### **ALLGEMEINE MASSNAHMEN:**

1. Gas/Dampf, schwerer als Luft. Kann sich in engen Räumen ansammeln, insbesondere am oder unter dem Boden.
2. Jede mögliche Zündquelle beseitigen.
3. Geeignete persönliche Schutzausrüstung (PSA) verwenden.
4. Unnötiges Personal evakuieren, den Bereich isolieren und belüften.
5. Nicht in die Augen, auf die Haut oder auf die Kleidung gelangen lassen. Dämpfe oder Gase nicht einatmen.
6. Eindringen in die Kanalisation und öffentliche Gewässer verhindern.
7. Die Quelle der Freisetzung abstellen, wenn dies gefahrlos möglich ist. Die Verwendung von Sprühwasser zur Zerstreung der Dämpfe in Betracht ziehen.
8. Den Bereich isolieren, bis sich das Gas verflüchtigt hat. Bereich vor dem Betreten lüften und auf Gas überprüfen. Nach einem Gasaustritt die zuständigen Behörden benachrichtigen.

# 7. FEHLERBEHEBUNG

DE

SYMPTOM		INSPECTION PRÜFUNG	SOLUTION LÖSUNG
Das Gerät funktioniert nicht.		✓ Überprüfen Sie, ob der Stromanschluss richtig angeschlossen ist.	→ Stecken Sie das Netzteil fest in die Wandsteckdose.
		✓ Sie, ob die Wasserstandsanzeige leuchtet?	→ Entleeren Sie die den Kondensatbehälter, indem Sie den Gummistopfen entfernen.
		✓ Prüfen Sie die Raumtemperatur.	→ Der Betriebstemperaturbereich liegt bei 5 und 35°C.
Das Gerät arbeitet mit reduzierter Leistung.		✓ Prüfen Sie den Luftfilter auf Verschmutzung.	→ Reinigen Sie den Luftfilter nach Bedarf.
		✓ Prüfen Sie, ob die Luftzuführung blockiert ist.	→ Entfernen Sie das Hinderniss.
		✓ Prüfen Sie, ob die Zimmertür oder Fenster geöffnet ist.	→ Halten Sie Türen und Fenster geschlossen.
		✓ Prüfen Sie, ob der gewünschte Betriebsmodus gewählt wurde und die Temperatur entsprechend eingestellt ist.	→ Stellen Sie den Modus und die Temperatur auf den richtigen Sollwert gemäß der Bedienungsanleitung ein.
		✓ Der Abluftschlauch ist gelöst.	→ Vergewissern Sie sich, dass der Abluftschlauch sicher befestigt ist.
Wasseraustritt		✓ Überlauf beim Bewegen des Gerätes.	→ Entleeren Sie den Kondensatbehälter vor dem Transport.
		✓ Prüfen Sie, ob der Abflussschlauch geknickt ist oder einen Knick aufweist.	→ Richten Sie den Schlauch gerade aus, um ein Einklemmen zu vermeiden.
Übermäßige Geräusentwicklung		✓ Prüfen Sie, ob das Gerät sicher aufgestellt ist.	→ Stellen Sie das Gerät auf waagerechten und festen Boden.
		✓ Prüfen Sie, ob lose, vibrierende Teile vorhanden sind.	→ Sichern und befestigen Sie diese.
		✓ Geräusch, ähnlich fließenden Wassers.	→ Geräusche entstehen vom fließenden Kältemittel. Das ist normal.
Fehlermeldungen	E0	✓ Kommunikationsfehler zwischen Hauptplatine und Displayplatine..	→ Prüfen Sie den Kabelbaum der Displayplatine auf Beschädigungen.
	E1	✓ Fehler Umgebungstemperatursensor	→ Anschluss prüfen oder austauschen. Reinigen oder ersetzen Sie den Temperatursensor.
	E2	✓ Ausfall des Spulentemperatursensors.	→ Anschluss überprüfen oder austauschen. Den Temperatursensor reinigen oder austauschen.
	Ft	✓ Alarm bei hohem Kondensatwasserstand.	→ Entleeren Sie die Auffangwanne, indem Sie den Gummistopfen entfernen.

## 8. AUSSERBETRIEBNAHME

### 8.1. LAGERUNG

Wenn Sie das Gerät über einen längeren Zeitraum (mehr als ein Paar Wochen) nicht benutzen, ist es am Besten, das Gerät zu reinigen und vollständig zu trocknen. Bitte lagern Sie das Gerät gemäß den folgenden Schritten:

1. Ziehen Sie den Stecker aus der Steckdose und entfernen Sie den Abluftschlauch und das Fensterset, das mit dem Gerät aufbewahrt wird.
2. Lassen Sie das restliche Wasser aus dem Gerät ab.
3. Reinigen Sie den Filter und lassen Sie ihn an einem schattigen Ort vollständig trocknen.
4. Setzen Sie den Filter wieder an seinem Platz ein.
5. Das Gerät muss bei der Lagerung in aufrechter Position aufbewahrt werden.
6. Bewahren Sie das Gerät in einem belüfteten, trockenen, nicht von korrosiven Gasen umgebenden und sicheren Raum auf.

#### ACHTUNG:

Der Verdampfer im Inneren des Geräts muss getrocknet werden, bevor das Gerät verpackt wird, um Schäden an den Komponenten und Schimmel zu vermeiden. Ziehen Sie den Stecker aus der Steckdose und stellen Sie das Gerät für einige Tage an einen trockenen, durchlüfteten Ort, um es zu trocknen. Eine andere Möglichkeit, das Gerät zu trocknen, besteht darin, das Gerät einzuschalten, es auf einen niedrigen Belüftungsmodus einzustellen und diesen Zustand beizubehalten, bis das Abflussrohr trocken ist, um das Innere des Gehäuses trocken zu halten und Schimmelbildung zu verhindern.

### 8.2. STILLEGUNG



WARNING

Das Freisetzen von Kältemittel in die Atmosphäre ist strengstens verboten !



Entsorgen Sie Elektrogeräte nicht als unsortierten Kommunalabfall, sondern nutzen Sie getrennte Sammelstellen. Wenden Sie sich an Ihre Gemeindeverwaltung, um Informationen über die verfügbaren Sammelsysteme zu erhalten. Wenn Elektrogeräte auf Deponien oder Müllkippen entsorgt werden, können gefährliche und gesundheitsschädliche Stoffe ins Grundwasser und in die Nahrungskette gelangen.

## GARANTIEZEITRAUM

Der Hersteller garantiert die Übereinstimmung des Produktes mit der Konstruktionsbeschreibung unter der Annahme der Beachtung der Montage- und Betriebsanleitung.

### Garantiezeitraum – 2 Jahre ab Kaufdatum.

Tritt innerhalb des Garantiezeitraums ein Mangel auf, welcher auf eine fehlerhafte Herstellung zurückzuführen ist, so hat der Kunde das Recht auf Nacherfüllung. Schäden aufgrund unsachgemäßer Handhabung, Beschädigung durch Fremdverschulden, falscher Installation (nicht der Anleitung folgend) oder deren Folgeschäden, sind von der Garantie ausgenommen. Bitte bewahren Sie Ihren Kaufbeleg auf. Garantieleistungen werden nur gegen Vorlage des Kaufbelegs erbracht.

## KONFORMITÄT

Die Zhejiang Oulun Electronic Co. Ltd. erklärt hiermit, dass die Produkte den folgenden Richtlinien entsprechen: Richtlinie 2014/35/EU Die Konformitätserklärung finden Sie unter folgendem Link: [https://www.bodenheizung-24.de/pub/media/50305330\\_019\\_AN\\_50566167\\_0001cert\\_extsigned.pdf](https://www.bodenheizung-24.de/pub/media/50305330_019_AN_50566167_0001cert_extsigned.pdf)

### Hinweise zur Entsorgung gemäß DIRECTIVE 2002/96/CE



Altgeräte dürfen nicht in den Hausmüll! Sollte die Klimaanlage einmal nicht mehr benutzt werden, so ist jeder Verbraucher gesetzlich verpflichtet, Altgeräte getrennt vom Hausmüll, z. B. bei einer Sammelstelle seiner Gemeinde / seines Stadtteils, abzugeben. Damit wird gewährleistet, dass Altgeräte fachgerecht verwertet und negative Auswirkungen auf die Umwelt vermieden werden. Deswegen sind Elektrogeräte mit diesem Symbol versehen

**Entsorgen Sie die Verpackung sortenrein. Geben Sie Pappe und Karton zum Altpapier, Folien in die Wertstoff-Sammlung..**

Warm-On GmbH (Bodenheizung-24)

I Park Tauberfranken 18 97922 Lauda-Königshofen Tel. +49 (0)9343-9809061 (Kundensupport) - Alle Angaben entsprechen dem aktuellen Stand unserer Kenntnisse und sind nach bestem Wissen richtig und zuverlässig. Änderungen, Irrtümer und Druckfehler begründen keinen Anspruch auf Schadenersatz. Für die Haftung gelten ausschließlich unsere allgemeinen Geschäftsbedingungen. Technische Änderungen behalten wir uns ohne entsprechende Vorankündigung vor. [www.warm-on.com](http://www.warm-on.com) | [www.bodenheizung-24.de](http://www.bodenheizung-24.de)

IMPORTER: warm-on GmbH, i\_Park Tauberfranken 18, D-97922 Lauda-Königshofen, Germany

Tel. +49 (0)9343-9809061 (Customer Support)

HERSTELLER:: Zhejiang Oulun Electronic Co. Ltd., No.17, Tangmei Road, Economic Development Zone, Linping District, Hangzhou, P.R. China



www.warm-on.com

www.bodenheizung-24.de

www.warm-on.fr

Customer Support  
**+49 (0)9343-9809061**

warm-on GmbH, i\_Park Tauberfranken 18,  
D-97922 Lauda-Königshofen, Germany

# GARANTIESCHEIN UND PRÜFPROTOKOLL / GUARANTEE CARD AND TEST RECORD / FORMULAIRE DE GARANTIE

Ausgefüllter Garantieschein ist Grundlage für Garantieanspruch /  
The completed guarantee card is necessary for warranty claims /  
Le formulaire de garantie doit être dûment rempli pour les  
demandes de prises en

.....

## Kunde / Customer/ Client

\_\_\_\_\_  
Name / Name / Nom

\_\_\_\_\_  
Tel

\_\_\_\_\_  
Strasse / Street / Rue

\_\_\_\_\_  
E-mail

\_\_\_\_\_  
Postleitzahl, Stadt / Postal Code, City /  
Code postal. Ville

\_\_\_\_\_  
Kaufdatum / Purchase date / Date d'achat

\_\_\_\_\_  
Land / Country

\_\_\_\_\_  
Unterschrift Kunde / Client's signature /  
Signature du client